



BAL 40 AE401 SLAT PROFILE

STRONG | TOUGH | DURABLE

The Sentry Fireshield Extruded Slat Profile is ideal for residential or commercial use when added strength and security is required.

Manufactured to the highest standards with state of the art equipment, the Sentry Fireshield extruded slat profile is available in a 40mm curved profile which allows it to be used with our standard 40mm curved profile. When assembled in a roller shutter with Extended Guides the Sentry Fireshield slat can span to a maximum of 4600mm in width.

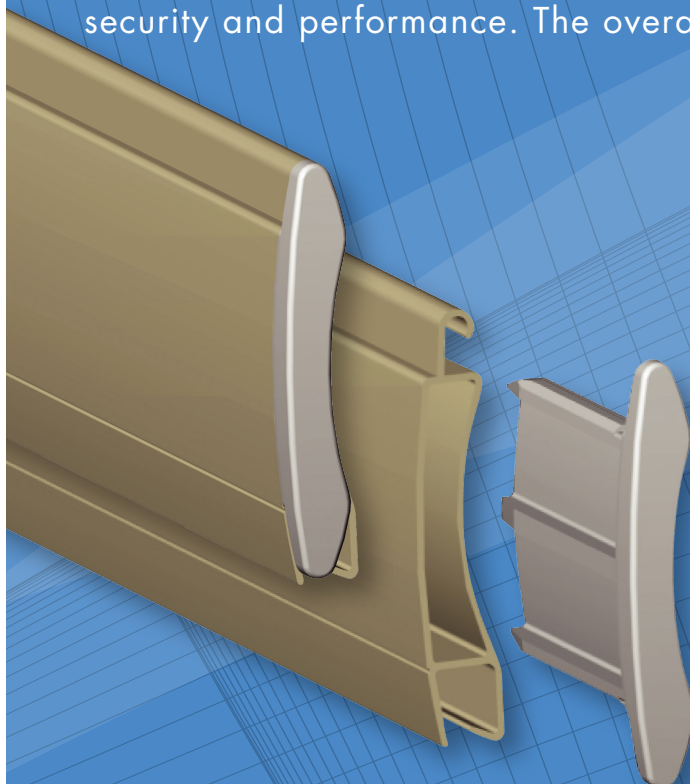
The Sentry Fireshield Extruded slat profile has superior strength offering increased security and performance. The overall

profile appearance is clean and stylish with only a slight "V" groove line on the convex side.

The Sentry Fireshield Extruded profile is available in several coloured Interpon painted coatings that is long lasting and fade resistant under the most demanding conditions but can also be powder coated in a colour of your choice! The 10 UM Clear Anodised finish is an ideal option for both commercial and residential applications.

The Sentry Fireshield Extruded Slat Profile is also available in a number of finishes as listed below:

- | | |
|-------------------|------------|
| • Clear Anodised | 10.471.800 |
| • White | 10.471.301 |
| • Grey | 10.471.302 |
| • Cream | 10.471.308 |
| • Sand | 10.471.311 |
| • Black | 10.471.315 |
| • Deep Ocean Blue | 10.471.318 |
| • Woodland Grey | 10.471.319 |



Rollashield[®]
PREMIUM ROLLER SHUTTERS by **ezroll**