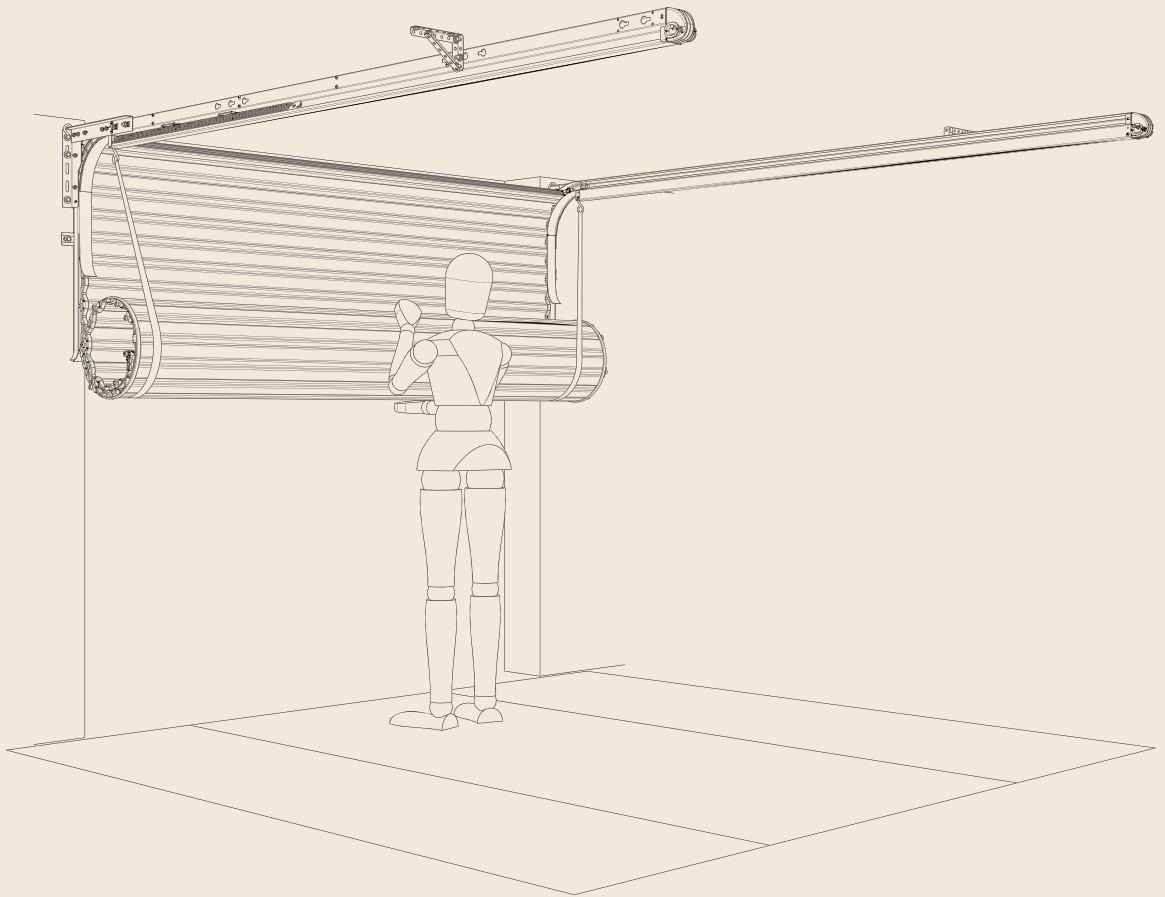




Flex-A-Door[®]

REPLACING ROLLER CARRIAGES INSTALLATION INSTRUCTIONS



DISCLAIMER

*THESE INSTRUCTIONS ARE INTENDED FOR
PROFESSIONAL GARAGE DOOR INSTALLERS*

Note: All references are taken from inside looking out



CONTENTS

| | | |
|------------|---|-----------|
| 1.0 | BEFORE YOU START | 3 |
| 1.1 | SAFETY CHECKLIST | 3 |
| 1.2 | FASTENER RECOMMENDATIONS FOR FITTING GARAGE DOORS | 4 |
| 1.3 | TOOLS REQUIRED | 5 |
| 2.0 | DOOR CURTAIN REMOVAL PROCEDURE | 5 |
| 2.1 | REMOVE RETRACTABLE INFILL PANEL (IF INSTALLED) | 5 |
| 2.2 | REMOVE VERTICAL TRACKS | 6 |
| 2.3 | DISCONNECT CABLE & OPENER (IF FITTED) | 6 |
| 2.4 | ROLL UP CURTAIN | 7 |
| 2.5 | PLACE CURTAIN DOWN | 7 |
| 2.6 | REPLACE ROLLER CARRIAGES | 8 |
| 2.7 | RE-ROLL AND RE-INSTALL | 8 |
| 2.8 | ALTERNATIVE REPLACEMENT METHOD | 9 |
| 3.0 | AFTER INSTALLATION CARE | 10 |

1.0 BEFORE YOU START

1.1 SAFETY CHECKLIST

The following hazards and hazard controls have been identified for installers during the installation of this door.

| Hazard | Control |
|---|---|
| <ul style="list-style-type: none"> Housekeeping - risk of slip trip or fall Housekeeping - risk of injury to other people or animals in the installers work area | <ul style="list-style-type: none"> Tidy up site prior to start work as a minimum area should be at least the area of the installation back into the garage and 2 metres in front If the Site housekeeping is deemed to be unsafe do not install the door Keep all people well clear of installers work area with appropriate signage and discussion with owner |
| <ul style="list-style-type: none"> Manual handling when moving the door from the Trailer or Ute to the installation area - risk of musculoskeletal injury Manual handling when installing Doors & Openers particularly above head height - risk of musculoskeletal injury or twisting Manual handling when installing tracks and torsion bars - risk of musculoskeletal injury Manual Handling when installing the door opener - risk of musculoskeletal injury or twisting | <ul style="list-style-type: none"> Correct lifting technique for Roller Door Use of 2 person lifts Use of mechanical aids such as lifting stands Avoid twisting (Practice correct lifting techniques) Correct use of ladders while installing tracks Use of correct technique of knotted rope installation aids |
| <ul style="list-style-type: none"> Working at heights and working with ladders - risk of fall from height | <ul style="list-style-type: none"> Ladder check Ladder placement Do not work off the top rung |
| <ul style="list-style-type: none"> Sharp edges on Door, tracks or related jewellery - risk of laceration | <ul style="list-style-type: none"> Wear appropriate PPE (Dyneema cut off Gloves) Follow instruction explicitly particularly for the installation of some parts of the doors as the unrolled cut out edges presents a very sharp edge |
| <ul style="list-style-type: none"> Pinch points - risk of cut, puncture or crush injury | <ul style="list-style-type: none"> Wear appropriate PPE and keep hands well clear of pinch points Ensure hands well clear of the panels |
| <ul style="list-style-type: none"> Use of hand tools - risk of eye injury, laceration cut stab or puncture injuries (Tools checklist) Use of Electric/ Battery or pneumatic tools - noise hazard Use of cutting tools creating sparks - risk of fire | <ul style="list-style-type: none"> Wear appropriate PPE and utilise operators manual Use appropriate noise/hearing protection in the form of ear plugs or ear muffs Ensure appropriate fire protection available and housekeeping to ensure that flammable liquids or materials are removed from the area of work |
| <ul style="list-style-type: none"> Tension spring - risk of release of stored energy (various door parts, tools, jewellery striking installer on the head or body) | <ul style="list-style-type: none"> Ensure door is correctly secured Ensure that pipe wrench is fitted correctly to the axle and if it is gripped onto the axle do not underestimate the tension in the spring when undoing the clamps Ensure the correct length pipe wrench is utilised Ensure correct bolts are tightened or loosened to ensure there is no release or controlled release of energy from the spring through the pipe wrench Keep hands clear of the pipe wrench at all times Keep head clear of the pipe wrench at all times |

1.2 FASTENER RECOMMENDATIONS FOR FITTING GARAGE DOORS

| MATERIAL | FASTENER TYPE(S) | DIAMETER OR TYPE | | LENGTH OF FASTENER (See Note) |
|--|--|------------------|---|-------------------------------|
| New Solid Brick | Coach Bolts (Hex Lag Screw) - combined with wall plugs | 5/16" | X | 1½" |
| | | 3/8" | X | 2" |
| | Macplugs (wall plugs) to suit above | 5/16" | X | 50mm |
| | | 3/8" | X | 60mm |
| | HLC Sleeve Anchors (Dyna Bolts) | 12mm | X | 55mm |
| New Hollow Brick | HRD-VGK or HGK-VGS (Hex Head) Frame Anchors | 10mm | X | 60mm |
| New Solid Concrete | Coach Bolts (Hex Lag Screw) - combined with wall plugs | 5/16" | X | 1½" |
| | | 3/8" | X | 2" |
| | Macplugs (wall plugs) to suit above | 5/16" | X | 50mm |
| | | 3/8" | X | 60mm |
| | HLC Sleeve Anchors (Dyna Bolts) | 12mm | X | 55mm |
| Aerated Concrete e.g. (HEBEL) | Fischer Nylon Twist Lock Anchor Type GB 14 | 14mm | X | 85mm |
| Steel Framing e.g. BHP Framing (with rear access) | Hex Head Bolt Zinc Plated, Hexagon Nuts Zinc Plated, Washers Zinc Plated | 5/16" | X | 1" |
| | | 3/8" | X | 1" |
| | | 10mm | X | 25mm |
| | | 12mm | X | 25mm |
| Heavy Gauge Steel | Hex Head Tek | 14-20 | X | 22mm |
| Light Steel Framing e.g. BHP House Framing (no rear access) | Heavy Duty Kap Toggle | 10mm | X | 100mm |
| | | 12mm | X | 100mm |
| | Hex Head Tek | 6-10 | X | 20mm |
| New Timber | Coach Bolts (Hex Lag Screw) | 5/16" | X | 1½" |
| | | 3/8" | X | 2" |
| | Hex Head Tek | 14-10 | X | 50mm |

IMPORTANT NOTES:

1. For installation to materials not covered in the above chart, the installer should seek expert advice from a qualified builder.
2. Minimum length of fastener does not exclude use of longer lengths. Decision must be made by fitter to ensure adequate strength.
3. Recommendations for old materials or materials not in good condition are not included. If in doubt about the strength of the material seek specialist advice.
4. Fasteners for sectional door spring brackets and top track brackets in masonry should be at least 5/16" x 2.5" long or metric equivalent.
5. HEBEL Fischer type fastener should be installed 150mm from edge of blocks. Minimum overlap of door should be approximately 115mm (S1), 110mm (S3) and 90mm (Panelift). Add 50mm more if mounted on panels instead of blocks.

IMPORTANT INFORMATION ON FASTENERS

Coach bolts/screws supplied with this product are suitable for fastening to timber jambs.

Correct and safe fastening to other materials may require different fasteners.

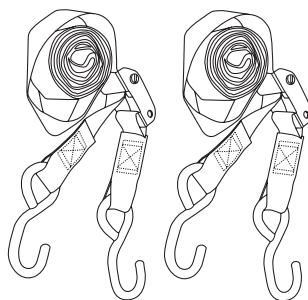
The installer must select and use fasteners appropriate to the material into which they are being fixed.

1.3 TOOLS REQUIRED

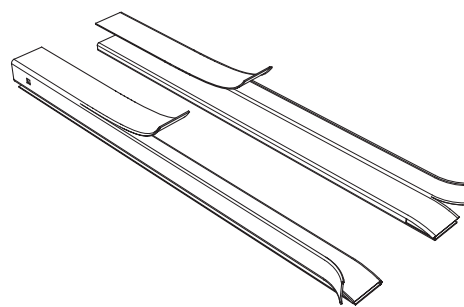
FLEX-A-DOOR INSTALLATION KIT

Standard installation tools are required as well as a Flex-A-Door Installation Kit that can be ordered from B&D under part Number 51605.

A pack of 10 carriage wheels can be ordered under Part Number 051512.



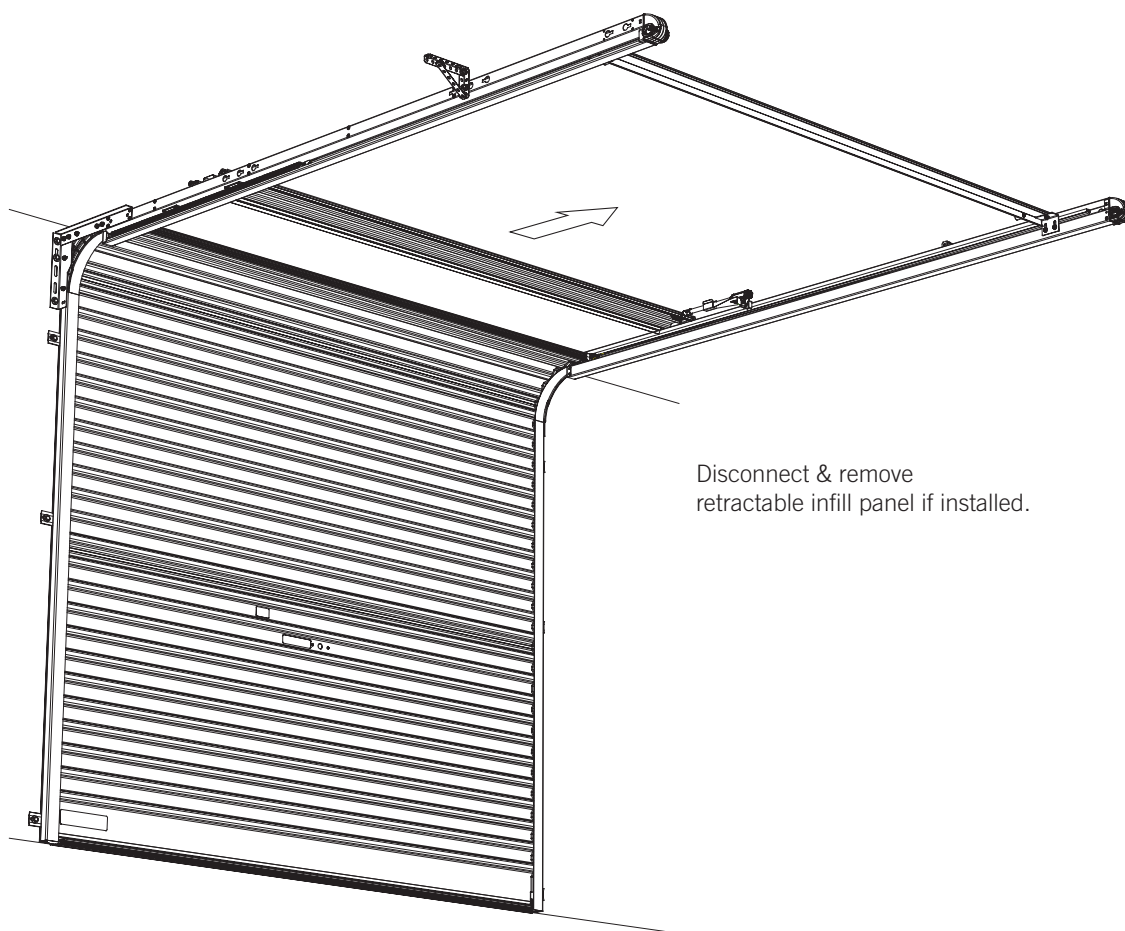
ADJUSTABLE STRAPS



LEAD-IN-TRACKS

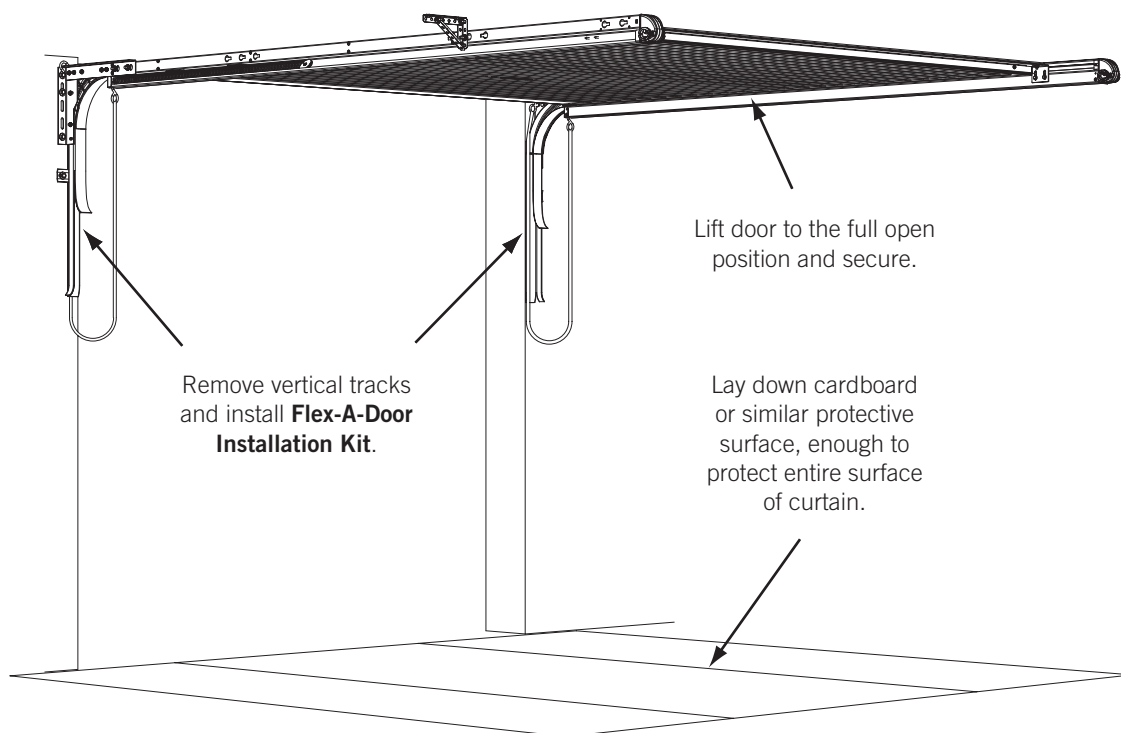
2.0 DOOR CURTAIN REMOVAL PROCEDURE

2.1 REMOVE RETRACTABLE INFILL PANEL (IF INSTALLED)

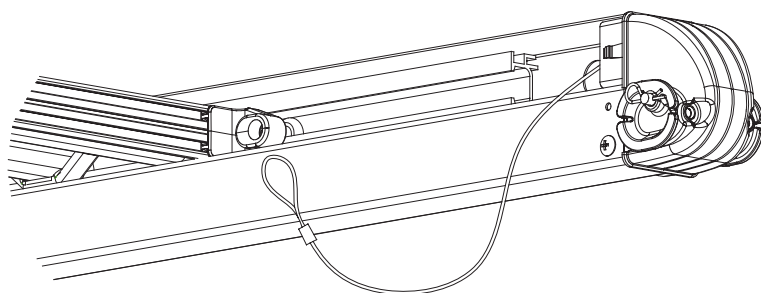


Disconnect & remove
retractable infill panel if installed.

2.2 REMOVE VERTICAL TRACKS



2.3 DISCONNECT CABLE & OPENER (IF FITTED)

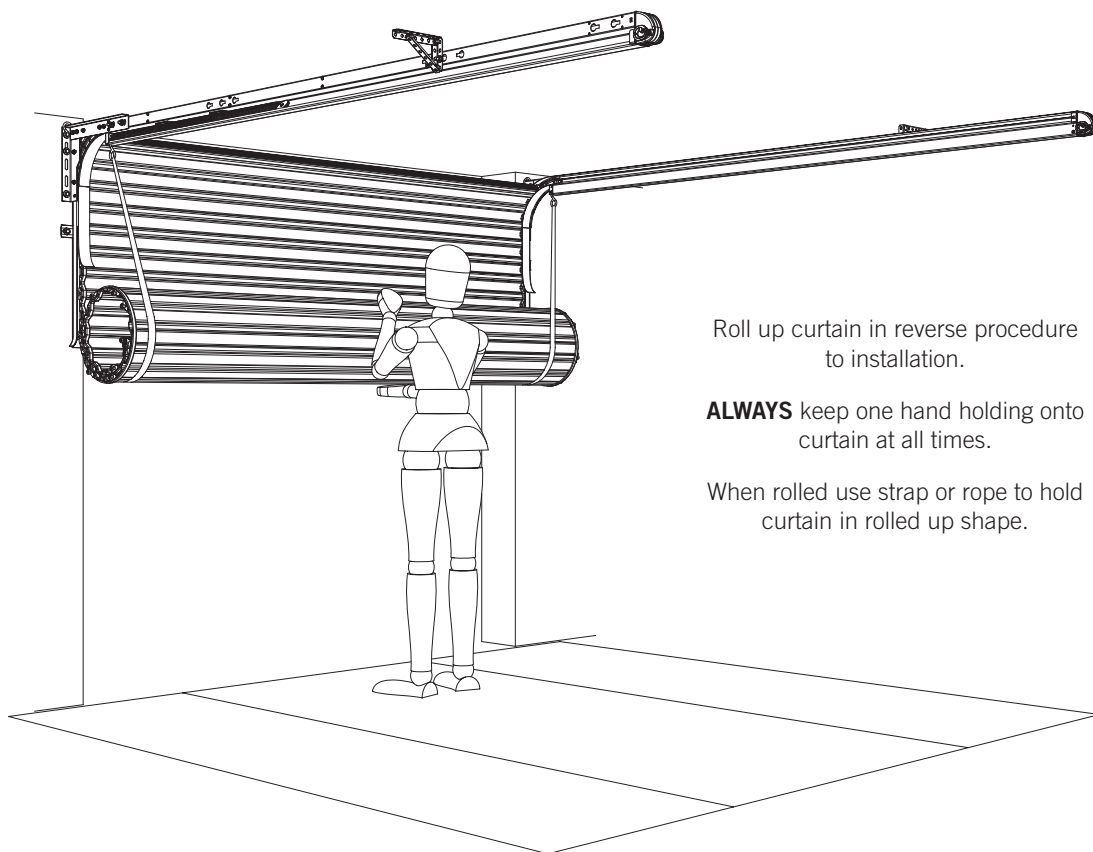


With door in open position disconnect cables & opener if fitted.

WARNING

DOOR CURTAIN MUST BE SECURED TO AVOID DOOR DROPPING!

2.4 ROLL UP CURTAIN



Roll up curtain in reverse procedure to installation.

ALWAYS keep one hand holding onto curtain at all times.

When rolled use strap or rope to hold curtain in rolled up shape.

2.5 PLACE CURTAIN DOWN

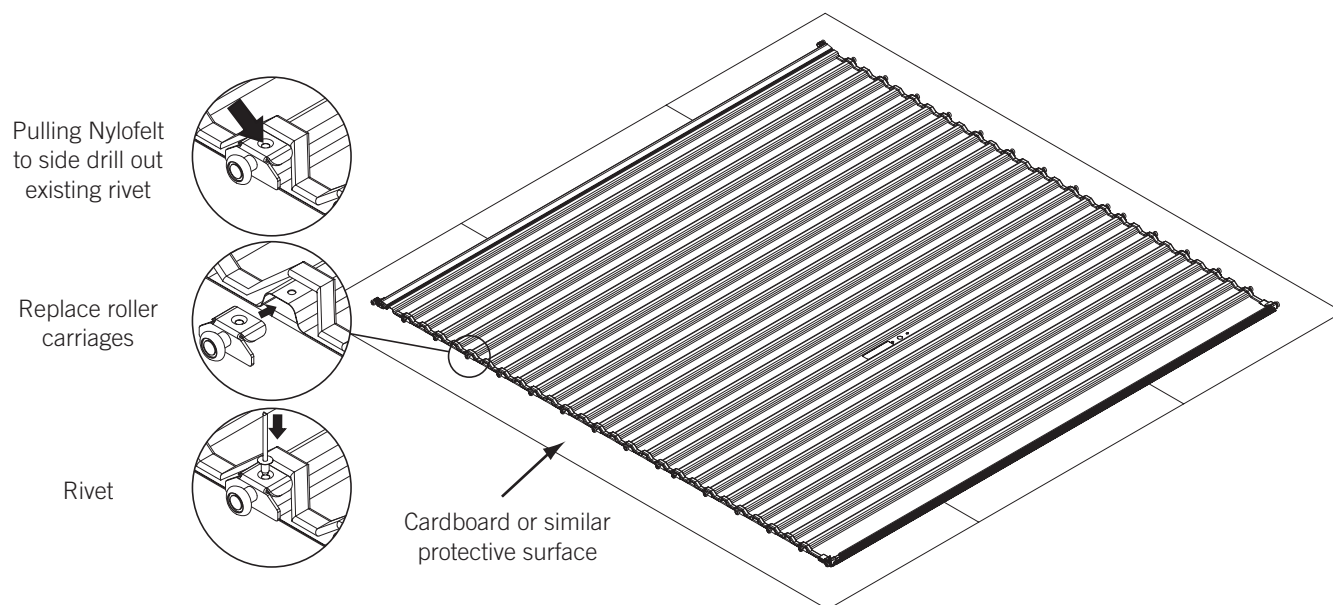


Place rolled up curtain on protective surface.

Unroll door face down on cardboard.

Cardboard or similar protective surface

2.6 REPLACE ROLLER CARRIAGES



2.7 RE-ROLL AND RE-INSTALL

1. Re-roll curtain and hold with rope or strap.
2. Re-install as per installation instructions.

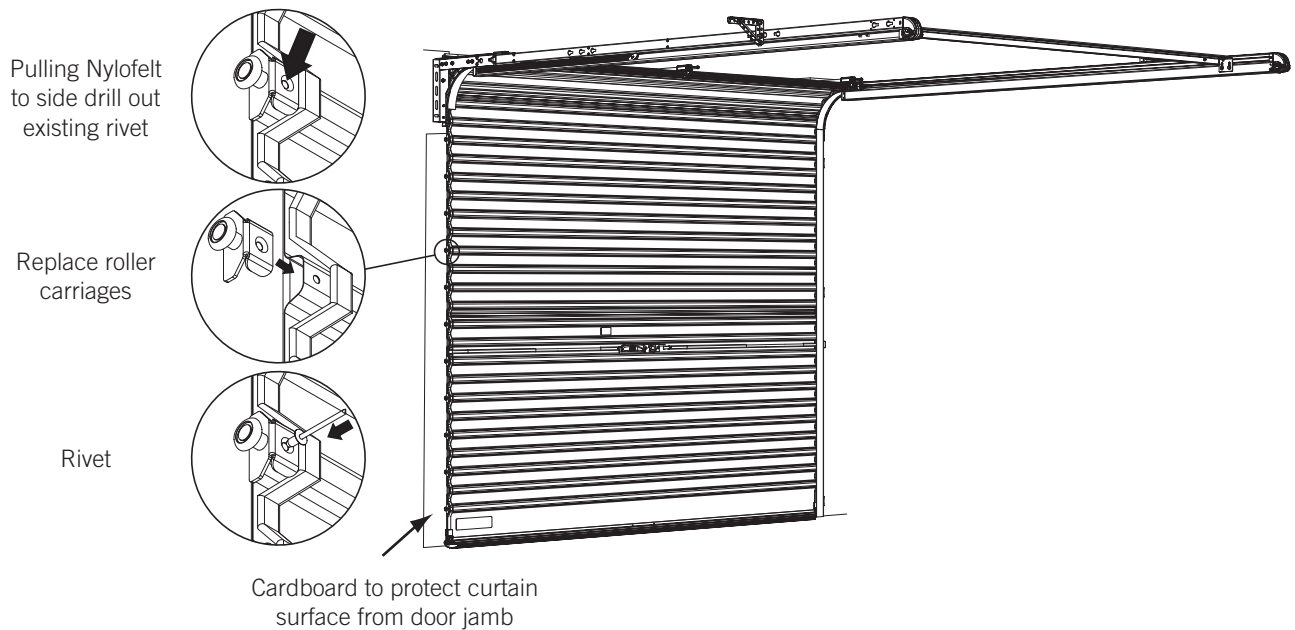
2.8 ALTERNATIVE REPLACEMENT METHOD

ALTERNATIVE METHOD FOR REPLACING ROLLER CARRIAGES THAT LIE BELOW PLASTIC CURVE ONLY

NOTE

THIS METHOD IS ONLY VALID FOR REPLACING ROLLER CARRIAGES THAT LIE BELOW THE PLASTIC CURVES WHEN DOOR IS FULLY CLOSED, ANY ROLLER CARRIAGES THAT NEED TO BE REPLACED ABOVE THIS POINT THEN THE OTHER METHOD MUST BE EMPLOYED.

1. Remove vertical guide from one side only.
2. Replacing roller carriages as show below.



3. Re-assemble guide using spirit level as per standard installation procedure.
4. Repeat procedure for other side.

3.0 AFTER INSTALLATION CARE

GENERAL CARE OF YOUR FLEX-A-DOOR®

BLUESCOPE COLORBOND® FINISH Your B&D Flex-A-Door® has been pre-painted with a silicone modified polyester formulation, which is one of the best paint films commercially available today. However, all exposed surfaces require some attention to guard against the premature onset of corrosion and any other harmful atmospheric effects. In our atmosphere there are harmful deposits that gather on the door surface and if not removed regularly, will seriously affect the appearance and life of the door.

Washing of the door with clean water and a cloth every 14 days is recommended – particular care should be taken to clean areas of the door not normally washed by rain, including the top of the door roll inside the garage.

NOTE: In locations where there is likely to be salt in the air or industrial fallout is severe, more frequent washing is advisable and additional protection of the surface may be required.

Touch-up paint, if required, is available from your B&D dealer.

ZINC COATED STEEL FINISH

Painting of Bluescope zinc coated steel requires special attention. If you wish to paint this surface we recommend you seek advice from your nearest paint specialist or hardware store or by contacting Bluescope Steel for expert advice.

IMPORTANT: DO NOT paint inside the guide tracks or on the Nylofelt® running strips – remove paint immediately if it gets on these areas.

LOCK

Your lock does not require special maintenance, however, if the keyway becomes stiff, the application of powdered graphite is recommended – do not grease or oil the lock.

The plastic section of the faceplate should be washed with soapy water and rinsed well. Strong solvents, such as acetone, should not be used – these will damage the surface.

WARNING! Do not disassemble the lock mechanism and do not allow paint to enter the lock keyway.

When opening the door, always make sure the key is withdrawn from the lock – if this is not done, the lock mechanism could be damaged and the key bent or broken.

We suggest you record your full key letter and number on the front of this manual and if replacement keys are required they can be obtained from your nearest B&D office, simply by quoting this number. If the keys have been lost and the number not recorded, it can be found stamped into the locking arm at the back of the mechanism.

NYLOFELT®

On no account should you use grease or oil in the door guides or on the Nylofelt® running strips – the grease or oil will clog the Nylofelt® and spoil the operation of the door. An occasional wipe with a cloth dampened with mineral turpentine or mentholated spirits, down the inside of each guide, is very beneficial in removing any trace of grease or dirt. After the guides have been cleaned, a silicon spray may be used in the guides.

NOTE: WD40 or similar oil based sprays are not silicon and should not be used.

Care should be taken not to damage the Nylofelt®, however, if Nylofelt® is cut or damaged, a lighted match should be used to quickly seal the ends of the nylon braiding, so as to stop any further deterioration.

REGULAR MAINTENANCE REQUIRED

B&D recommends that you check the operation of your Flex-A-Door® at least every six months (more regularly in extreme environments or frequent use). The effort required to manually open and close the door should be about the same (if door has an automatic opener, put into manual mode before testing door). If the door is difficult to operate in either direction (up or down) then check: that the Nylofelt® running strips on each side of the door have not slipped from the edge and are jamming the door; that the door is running correctly in the guides and the guides are straight and perpendicular; and that the inside surfaces of the guides are clean and free of obstructions. (see paragraph on care of Nylofelt®)

If you have checked these (and corrected where necessary) and the door is still difficult to operate, then your door will need a service to adjust the spring tension and possibly other operational parts of the door. This service should only be carried out by an experienced door technician, using the correct tools.

If you have an automatic opener fitted to your door, it is particularly important that you ensure the optimum operation of the door, otherwise you may reduce the effective life of the opener.

To keep your door running well, it is recommended that your door be serviced, by an experienced door technician, every 12 months (more regularly in extreme environments or frequent use), or earlier if required.

SPRING TENSION

It is natural for springs to lose tension over time. If the door requires adjustment please contact a qualified B&D installer.

WARRANTY

The B&D Flex-A-Door® in normal residential use is covered by a one year warranty for complete door and parts, conditional on proper care, as recommended above. Full details of the warranty are available, on request, from your nearest B&D office.

B&D Doors Office Locations:

| | | |
|-------------------------|---|-----------------------|
| New South Wales: | 34 Marigold St, Revesby 2212. | Phone: (02) 9722 5555 |
| Queensland: | 17 Oasis Court, Clontarf 4019. | Phone: (07) 3883 0200 |
| Newcastle: | Unit 1/108 Mitchell Rd, Cardiff NSW 2285. | Phone: (02) 4956 8533 |
| Victoria: | 147-153 Canterbury Rd, Kilsyth 3137. | Phone: (03) 9237 7766 |

| | | |
|------------------------------|-----------------------------------|---------------------------|
| South Australia: | 23 Frederick Rd, Royal Park 5014. | Phone: (08) 8440 4747 |
| Western Australia: | 96 Mulgool Rd, Malaga 6090. | Phone: (08) 9247 8777 |
| International/Export: | 34 Marigold St, Revesby 2212. | Phone: +61 (0)2 9722 5555 |



Prefixed trademarks are the property of B&D Australia Pty Ltd
B&D Doors & Openers is a division of B&D Australia Pty Ltd, an Alesco company
ABN 25 010 473 971
Copyright 2010 B&D Australia Pty Ltd.

YOUR REPRESENTATIVE IS