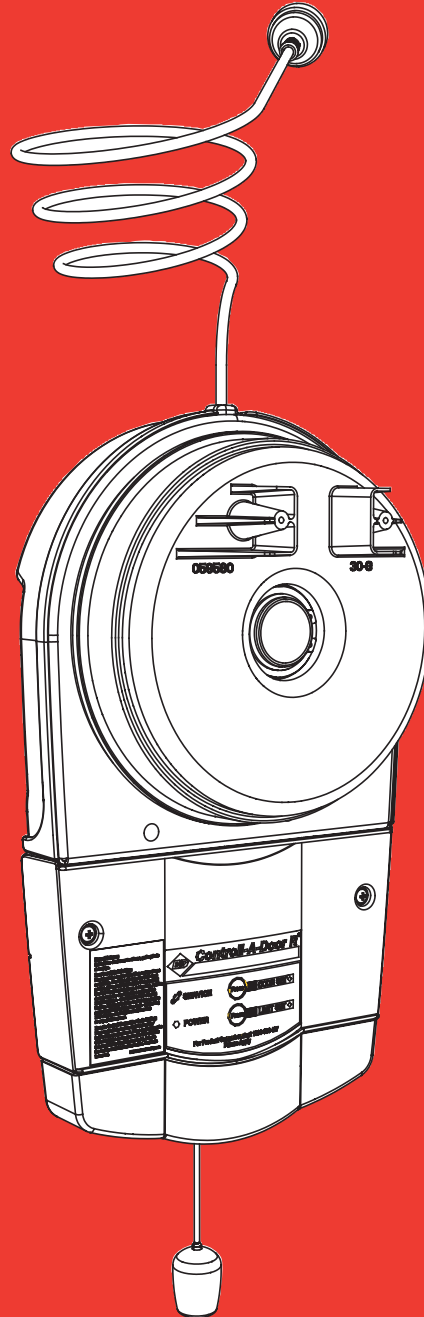




# Controll-A-Door® R

## Automatic Rolling Garage Door Opener



N1134

# Instruction Manual

B&D Doors is a Division of B&D Australia Pty Limited A.B.N. 25 010 473 971

[www.bnd.com.au](http://www.bnd.com.au)



Manufactured under a quality system certified as complying with ISO9002 by an accredited certification body

Part No 059778

# START BY READING THESE IMPORTANT SAFETY RULES



These safety alert symbols mean **Caution** – a personal safety or property damage instruction. Read these instructions carefully.  
This Automatic Garage Door Opener is designed and tested to offer safe service provided it is installed and operated in strict accordance with the following safety rules.  
**Failure to comply with the following instructions may result in serious personal injury or property damage.**

Caution: If your garage has no service entrance door, an emergency access device can be installed. This accessory allows manual operation of the garage door from outside in case of power failure.



**Position the garage Door Opener so that the power plug is accessible when inserted into the power outlet (EN 60335-1)**



**Do not wear rings, watches or loose clothing** while installing or servicing a garage door opener.



**This opener should be installed in accordance with relevant Australian Standards.**



This opener is not suitable for commercial, industrial or common entry applications.



**Do not allow children to play with door controls (AS3350).**



**To avoid serious personal injury from entanglement, remove all unnecessary ropes or chains and disable any equipment such as locks which are not needed for powered operation (AS3350).**



**Keep remote controls away from children (AS3350).**



Installation and wiring must be in compliance with your local building and electrical codes. **Connect the power cord only to properly earthed mains.** If an extension lead is used, make sure it is a 3 core lead and approved to 5 amp capacity.



**Watch the moving door and keep people away until the door is completely opened or closed (AS3350).**



**Activate the opener only when the door is in full view, free of obstructions and with the opener properly adjusted.**



If the supply cord is damaged, it must be replaced by the manufacturer or its service agent or a similarly qualified person in order to avoid a hazard.



**Keep garage door balanced.** Sticking or binding doors must be repaired. Garage doors, door springs, brackets and their hardware are under extreme tension and can cause serious personal injury. **Do not attempt any garage door adjustment. Do not use if repair or adjustment is needed.** Call for professional garage door service.



When using optional auto close mode, a safety infrared beam (Part No 62153) must be fitted correctly and tested for operation at regular intervals. Extreme caution is recommended when using auto close mode. All safety rules must be followed.



**Install optional door control button in a location where the garage door is visible, but out of the reach of children at a height of at least 1.5m (AS3350).**



**This opener is a plug in domestic appliance and is designed for indoor use only. It must be installed in a dry position that is protected from the weather.**



**Disconnect electric power to the garage door opener before removing covers.**



The opener is not intended for use by young children or infirm persons without supervision.

## IMPORTANT SAFETY INSTRUCTIONS

**WARNING – It is vital for the safety of persons to follow all instructions.**

**SAVE THESE INSTRUCTIONS**

AS3350

# ABOUT YOUR B&D OPENER

Thank you for choosing a B&D automatic garage door opener. This automatic garage door opener has been designed and developed in Australia by B&D Doors.

The technically advanced construction of this B&D opener ensures you enjoy the following benefits:

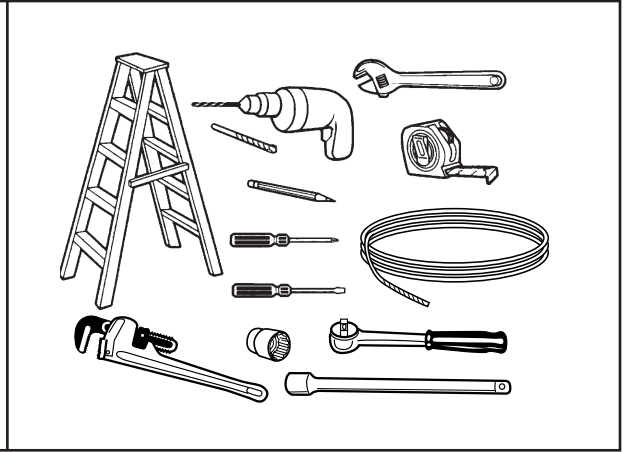
- 5 year full parts and labour warranty on motor, electronics and mechanical components of the opener when installed by an authorised B&D Dealer (conditions such as having the garage door serviced annually also apply).
- Your own private security code with 3.486 billion available codes, meaning only you can open your garage door. Allows you to electronically program your security code at the touch of a button.
- Standard multi channel remote control transmitter allows you to operate other devices such as an adjoining garage door or entry gate if automated.
- Automatic safety reverse ensures personal protection from death or serious injury if trapped under a door while closing.
- Courtesy light automatically switches on for approximately 4<sup>1</sup>/<sub>2</sub> minutes when operating the door. Can be programmed to turn on and off from a remote control transmitter.
- Emergency disengagement release handle (red knob) for manual operation of the door in the event of a power failure.
- Automatic memory of all remote control transmitter codes and door travel limits after a power failure.
- No need to manually lock your garage door, as the opener 'positively' locks the door when closed.
- Automatically compensates for changes in door operating characteristics.
- Auto closing option can be programmed to close the door approximately 30 seconds after the door has opened. N.B. Safety Infra Red beams must be installed for this option to function.
- Flashing LED's to easily identify operational problems or service requirements.
- An external antenna can be connected – for sites where radio range can be a problem.
- Vacation mode can be programmed to disable the radio receiver.
- Door Open Output – for those situations when you need to know when the door is open.
- Auxilliary Output – you can can program a spare button of your remote control transmitter to operate this output to control items that can be switched using a momentary closed contact.

## SPECIFICATIONS

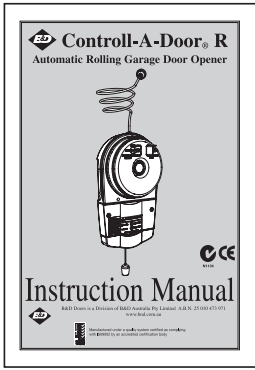
Maximum Door Size and Door Load	3000mm high Residential Rolling Garage Door or 2400mm high Wind Lock Residential Rolling Garage Door that does not exceed 200N (20kgs) bottom rail load
Supply Voltage	220 – 240 volts AC – 50/60 Hz
Current	Maximum 3.5 Amps
Lamp	One 25 watt Pilot Lamp, on when door starts, off approx. 4 <sup>1</sup> / <sub>2</sub> minutes later or can be programmed to operate from a remote control transmitter
Limit Adjustment	Electronic
Remote Control Transmitter Frequency	433.92 MHz
Powerhead Weight	8.75 kgs
Auxilliary Power Supply	12 volt, 100mA – protected by a 200mA polyfuse
Door Open Indicator Supply	Open collector isolated transistor, 30v, 100mA, connected to common when door is closed
Auxilliary Output Supply	Opto-isolated transistor, 30v, 100mA, connected to common when activated
External Aerial Connection	Female TV Coax Connector <span style="float: right;">AS3350</span>

## WHAT YOU MAY NEED TO DO THE JOB

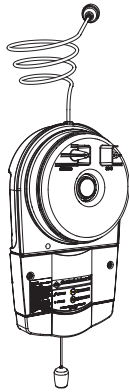
- Suitable door support
- Ladder
- Phillips screwdriver
- Suitable sockets and handle with a 150mm extension
- 450mm pipe wrench (Stillson) or similar
- Adjustable wrench or spanner set
- Marking pencil
- Tape measure
- Drill
- 4.5mm drill bit for mounting weight bar
- 3.2mm drill bit for pinning door curtain
- Length of rope



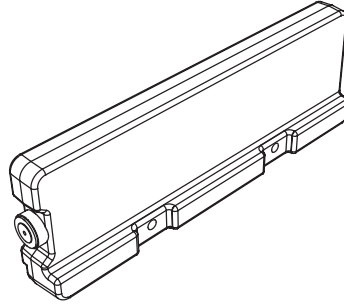
## ITEMS SUPPLIED IN THE CARTON



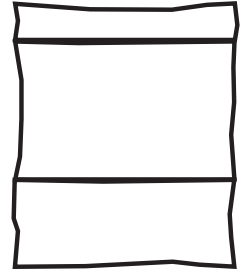
1. Instruction Manual



2. Powerhead

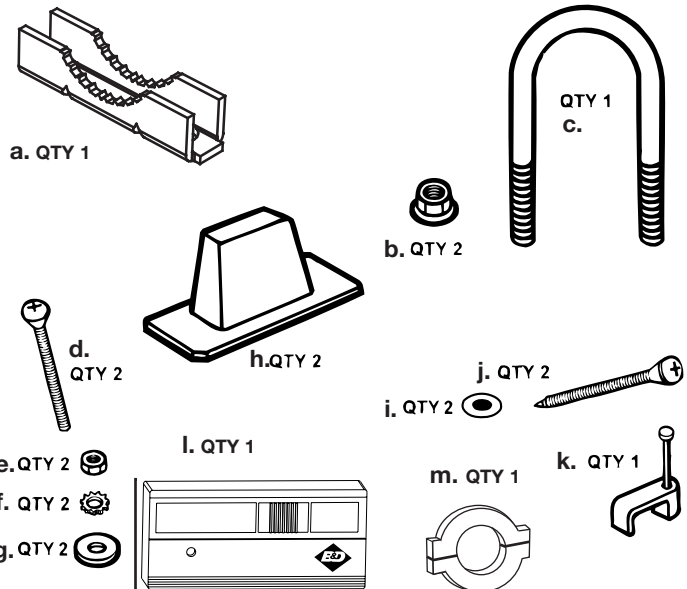


3. Weightbar



4. Installation Bag

1. Instruction Manual
2. Powerhead
3. Weightbar
4. Installation Bag containing:
  - a. Qty 1 Axle to bracket clamp
  - b. Qty 2 nut whiz 5/16 UNC
  - c. Qty 1 Bolt U 5/16 x 2 1/2
  - d. Qty 2 Screw M4 x 50
  - e. Qty 2 Nut M4 Hex
  - f. Qty 2 5/32 shakeproof washer
  - g. Qty 2 3/16 x 1/2 flat washers
  - h. Qty 2 locking bar covers
  - i. Qty 2 washer 6.4x20.6x1.2 to pin the door curtain
  - j. Qty 2 Screw 10x32 Self Tapping
  - k. Qty 1 Cable Clip
  - l. Qty 1 Remote Control Transmitter with visor clip
  - m. Qty 1 Stop Bracket kit



# SECTION 1 - REQUIREMENTS

**IMPORTANT SAFETY INSTRUCTIONS FOR INSTALLATION**  
**WARNING - INCORRECT INSTALLATION CAN LEAD TO SEVERE INJURY.**  
**FOLLOW ALL INSTALLATION INSTRUCTIONS.**

AS3350

## 1.1 DOOR OPERATION

The door must be in good operating condition and the maximum effort to move the door up or down, from stationary, should not exceed 200 Newton's (20kg force) at the bottom rail.

Lift the door to about halfway, when you release the door it should stay in place supported entirely by its springs. Raise and lower the door to see if there is any binding or sticking.

The door may need to be serviced to meet these requirements – refer to door manufacturer's servicing instructions or contact an authorised dealer.



**Before installing the opener, check that the door is in good mechanical condition and correctly balanced and that it opens and closes properly.**

AS3350

**Note:** *The fitting of an opener to doors with removable mullions is not recommended.*

## 1.2 POSITION

It is recommended that the opener be installed on the right hand side of the door, however the opener can be installed on either the right hand or left hand side of the door (viewed from inside the garage looking out - left is left).

The opener must be mounted in a dry position that is protected from the weather.

The opener is not designed for external use.

Moisture or corrosion may damage the opener and this is not covered by the Warranty.

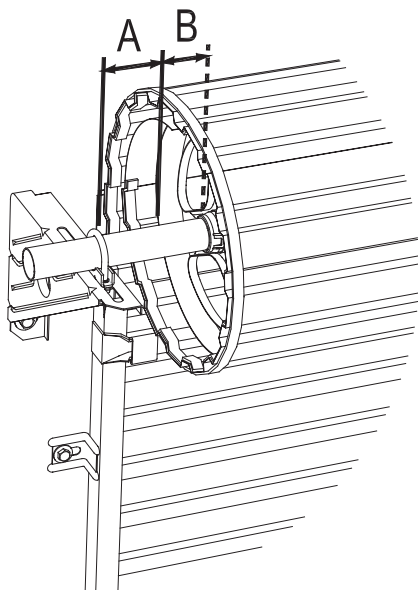
Do not allow water, or other liquids, to enter the opener or remote control transmitter.

## 1.3 POWER SUPPLY

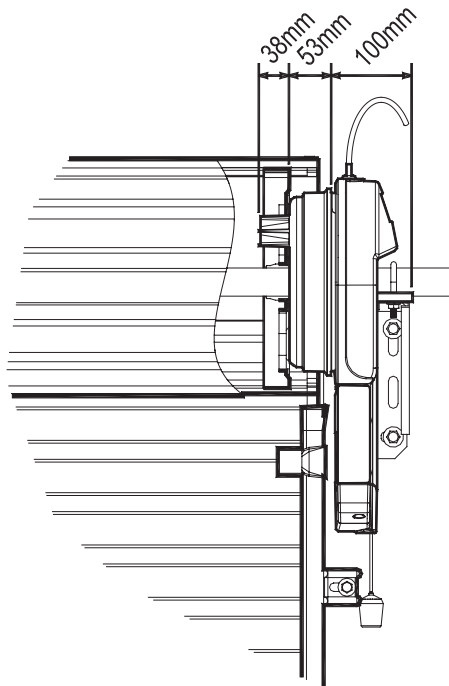


A properly earthed, 3 pin, single-phase power supply is required.

**WARNING!** A portable power generator is not recommended. The opener may appear to malfunction due to spikes, surges and fluctuations in the generated voltage.



Curtain, Drum & Bracket Clearance



CAD R Dimensions

**Dimension A = 60mm minimum.** This is the minimum distance from the door curtain to the inside of the door bracket.

**Dimension B = 65mm maximum.** This is the distance from the door drum to the edge of the door curtain. If dimension B is greater than 65mm, a ring gear adaptor (Part No 59585) will be required.

**Door Axle Diameter not to exceed 35mm**

**Note:**

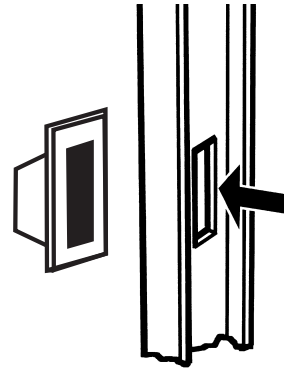
- 1 The door bracket may have to be relocated to line up with the slots in the mounting bracket of the opener (the opener may be mounted onto the axle - see Fit The Opener for special instructions).
- 2 The chassis **must not** be cut down to reduce sideroom - the warranty is invalidated if this occurs.
- 3 These dimensions assume the opener will be fitted while the door is on the floor. If the door is already installed an additional 150mm clearance is required to slide the opener over the axle.

## SECTION 2 – INSTALLATION PROCEDURES

The following is the preferred method of installing the opener

### 2.1 PREPARATION

- a. Check the door operation.
  - i. The door must be smooth to operate by hand.
  - ii. Operating force on the bottom rail should not exceed 200 Newton's (20kg) force.
  - iii. Adjust the guides if they are tight or twisted.
  - iv. Clean the guides if there is any oil or wax present using a suitable white spirit. The only lubricant suitable for use on door guides is silicon spray.
- b. Install locking bar covers if there are locking bar holes in the guides



**Note: DO NOT lock your door with the locking bars after installing your opener. Locks should be disabled (recommend the use of tie wire or cable ties). This will not affect the ability of your door to lock as the opener has an inbuilt locking facility.**

- c. The warning labels supplied with this opener should be fitted as appropriate.
- d. Choose the end where you will install the opener and ensure there is sufficient sideroom. (Refer to sideroom requirement – Note: from inside the garage looking out Left is Left).

### 2.2 FITTING WEIGHT BAR

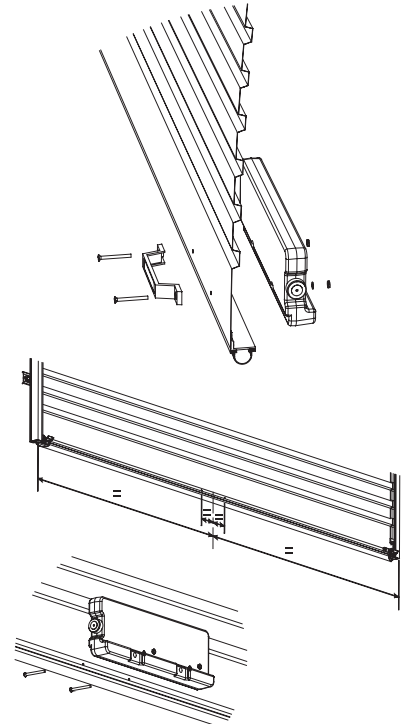
The weight bar must be fitted to the bottom-centre of the door as follows:

If the door has a handle:

- Remove the door handle, and
- Fit the weight bar and refit the handle using the new fasteners provided

If the door does not have a handle:

- Measure in from both sides of the door to find the centre of the door at the bottom
- Place the weight bar at this point (there is a centreline marked on the weight bar) and mark the two positions where the fasteners will go.
- Drill the two 4.5mm holes in the door and fit the weight bar using the new fasteners provided.



Check that the door is balanced and smooth to operate. If it is not then the door may require servicing (refer to door manufacturer's instructions).



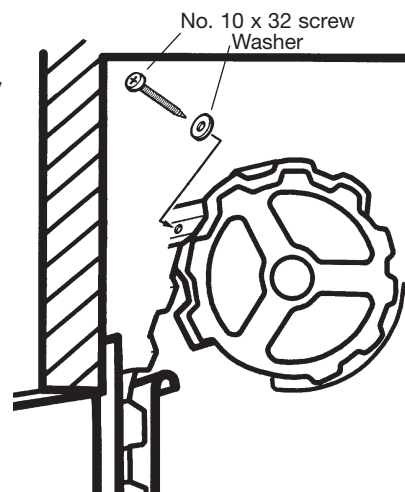
**The door is held under significant tension. Adjustments should only be carried out by experienced persons, as this function can be dangerous if not performed under strict safety procedures.**



### 2.3 PINNING THE DOOR CURTAIN

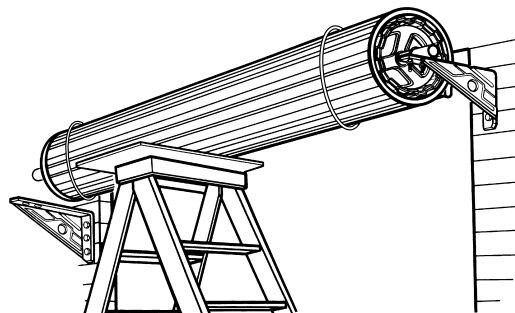
Pin the door curtain to the door drum at each end of the door to maintain security when the opener closes and locks. With the door fully closed:

- a. Mark positions to drill in both drums as shown.
- b. Open door slightly to get access to these positions.
- c. Drill using 3.2mm (1/8") drill.
- d. Fit a No 10 x 32mm screw and washer to each drum. While this screw should be positioned as low as possible, make sure that it does not alter the normal curtain to guide approach (lead-in angle).
- e. Make sure that the screws do not project into the area where the ring gear will fit.



### 2.4 FIT THE OPENER

- a. At the end opposite to where the opener will be fitted, check to make sure the "U" bolt is tightened securely and fit the anti-coning collar to the axle ensuring it is in contact with the door drum – right hand fitting is recommended where possible.
- b. Open the door completely and tie 2 safety ropes around the door roll approximately 300mm from each end (not too tight) as a safety precaution.
- c. At the end where the opener is to be fitted, support the door. It is recommended that you support the door with either:
  - a sling or a block and tackle from above the door, or
  - a suitable stand e.g. a ladder and blocks (see illustration). If you use blocks make sure they are flat on the top of the ladder and that they are wide enough to take the weight of the door without damaging it.



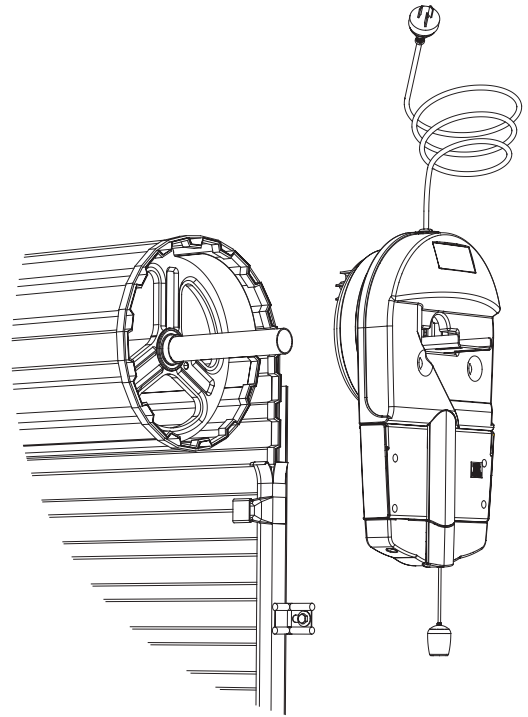
**Warning - make sure the support is snug under the door and that both the support and door are stable and will not move.**

- d. Mark the position of the "U" bolt in the door bracket and the position of the door bracket on the wall to assist when reassembling (use masking tape or marker pen).
- e. Remove the "U" bolt (or bolts) and saddle from the door bracket at the end where the opener is to be fitted. Remove this door bracket allowing the door to rest on the support (see illustration).  
*Note: For minimum sideroom installations the door may have to be taken down.*



f. Fit the opener as follows:

- Disengage the opener by pulling the disengagement handle down (there will be a click), so that the ring gear can be rotated by hand.
  - Slide the opener over the door axle and into the drum of the door. Ensure the ring gear is pushed in as far as possible (without interfering with the door curtain) so that the drive finger completely engage one of the door drum wheel spokes. Ensure the edges of the door drum wheel spoke do not have any rough edges (the ring gear drive finger moves on the spoke as the door turns).
- g. Re-attach the door bracket using your reference marks as a guide and tighten the bolts. Ensure that the slots in the mounting bracket of the opener align with the slots in the door bracket - the door bracket may have to be relocated.



Note: If the bracket cannot be relocated, the opener may be fitted onto the axle as follows:

- For Series 1 style doors - you will need to use two Series 1 style, 5/16" U bolts and saddles (not supplied) to attach the operator to the axle, or
  - For Series 2 style doors - you will need to use the Series 2 style, 3/8" U bolt and cast saddle (not supplied) to attach the operator to the axle.
- h. Using your reference marks as a guide, refit the U bolt and saddle and tighten firmly.

Note: The Series 2 style cast saddle will need to have 1mm ground off both sides to fit into the opener mounting bracket.

- i. Adjust the door position (if necessary) on the brackets so that the door feeds smoothly into the guides. Make sure that the centre of the door doesn't hit the lintel and that the curtain is not pushed forward hard into the guide.
- j. Remove the support and safety ropes.



**If the manual release is more than 1.8 metres from floor level when the opener is installed, extend the manual release handle to a height less than 1.8 metres.**

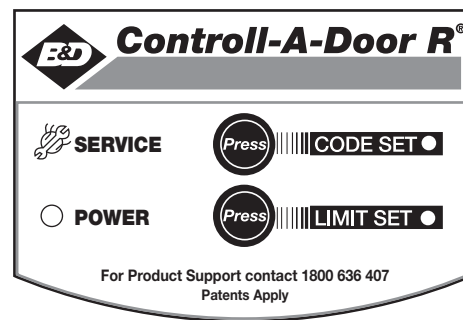
AS3350

- k. Connect the power cord to a suitable power point – **do not switch on**. Secure the cord away from any moving object (e.g. the door roll) with the cable clip supplied.
- l. Pull the door up and down to make sure it runs freely – make sure the ring gear is still disengaged.

## 2.5 PROGRAM THE OPENER


For the garage door opener to function properly the Door Travel Limits, Door Travel Force Settings and Remote Control Transmitter Codes will need to be programmed. If infra red beams are to be fitted they should be installed and connected prior to setting door travel limits.

For normal operation of the garage door opener there are 3 steps, for optional advanced features see Programming Optional remote Control Transmitter Features. To program the opener proceed as follows:



### Step 1 Door Travel Limit and Door Travel Force Setting.

Door travel Limits have to be programmed into the garage door opener to set the desired range of movement of the garage door. Whenever the Door Travel Limits are programmed the garage door opener will be forced to re-learn the Door Travel Force and reset the Service Counter. Use the following procedure:

	<p><b>Use caution when operating the manual release with the door open since it may fall rapidly due to weak or broken springs, or an imbalanced door; AS3350</b></p> <p><b>Caution: Do not disengage the opener to manual operation with children, persons or any objects including motor vehicles within the doorway.</b></p>
---	---

i.	Check opener disengaged	The operator should still be disengaged, if not, disengage the opener by pulling down the red handle.
ii.	Move door half way	Manually move the door to a position at least one metre above the floor.
iii.	Power on	Turn on the power to the opener (you may notice the CODE SET and LIMIT SET lights will flash rapidly for a few seconds whilst the opener goes through a diagnostic self-test) The POWER LED will illuminate. The Service LED may also be on.
iv.	Press Limit Set button	Press and hold the LIMIT SET button (approx. 3 seconds) until the Limit Set LED illuminates then release the button.
v.	Move door to bottom limit	Move the door manually to the desired lower limit and press the LIMIT SET button once to accept this bottom limit. The Limit Set LED will now be flashing.
vi.	Move door to upper limit	Move the door manually to the desired upper limit and press the LIMIT SET button once to accept this limit. The flashing LED will go out.  (Alternatively, after setting the bottom limit in step (v) you can re-engage the opener by pulling the red disengagement handle and press and hold the Operate button on the light cover to drive the door to the desired open position. When the desired open position is reached release the Operate button and the opener will stop. Press and release the Limit Set button once to accept this top limit – the flashing LED will go out.)
vii.	Re-engage opener	Re-engage the opener by pulling down on the red disengagement handle.
viii.	Press Operate Button – Close the door then open the door	Without obstructing the door: <ul style="list-style-type: none"> <li>• Press the Operate Button to drive the door to the bottom door travel limit, then</li> <li>• Press the Operate Button to drive the door to the upper door travel limit.</li> </ul> The opener learns the door travel forces during these movements. <ul style="list-style-type: none"> <li>• Repeat this process to drive the door down and up a second time.</li> </ul>
x.	Service LED Off	The “Service” indicator will now turn off to indicate that this step is complete.

Note: If the Limit Set button is pressed the Limit Set LED will illuminate to indicate the opener is in Limit Learn – if the garage door is not moved within 40 seconds, the Limit Set LED will turn off and the opener will exit Limit Learn.

The opener will constantly monitor the force required to operate the door and will adjust the Door Travel Force as necessary to ensure safe trouble free operation of your garage door opener.

You may notice that the door does not reach the limits during these initial door movements. This is normal as the controller is “learning” the force required during the soft deceleration part of the door travel.

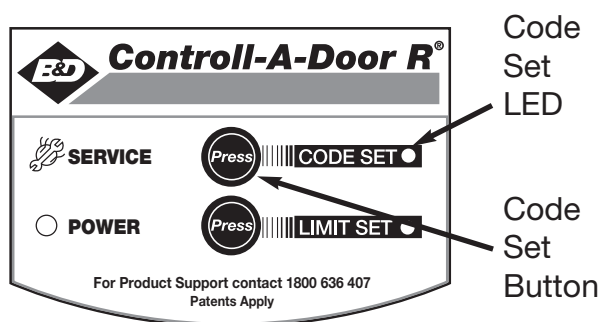
Note: A sudden change in the force required to operate a door such as sudden gusts of wind, may result in the garage door opener reversing whilst closing or halting whilst opening. You should always watch the door to ensure it is fully closed before leaving.

### Step 3 Remote Control Transmitter Code Setting.

The garage door opener can only operate from remote control transmitters that have been programmed into the garage door opener receiver.

The receiver needs to learn the codes of any remote control device that will be used with the operator. The receiver has storage for 14 memory codes and can store:

- Up to 12 “Smart Code” remote control transmitters. After 12 codes have been stored, any additional code stored will cause the oldest code to be erased.
- One “dip-switch” remote control transmitter code. Note: Programming a different dip-switch code will automatically erase any previously programmed dip-switch code, and
- One “entry keypad” code. programming a different entry keypad code will automatically erase any previously programmed entry keypad code.



All remote control transmitter codes are learned using one of the following procedures:

Note: If you release the remote control transmitter button before the CODE SET LED flashes, the opener has not learned the code. Additional remote control transmitters can be programmed by repeating step 3.

#### Remote Control Code Setting “OPERATE”:

i. Power On	Ensure the Power LED is ON.
ii. Press Code Set	Press the Code Set button on the opener, the Code Set LED will illuminate to indicate the opener is in Code Learn mode. (If a valid code is not stored within 15 seconds, the opener will exit Code Learn.)
iii. Press the Remote	Press and hold the remote control transmitter button to be programmed. For an entry keypad the desired code should be typed (a minimum of four numbers or letters) and the ENTER button held down.
iv. Code Set LED flashes	The Code Set LED will flash to indicate that the code has been learnt.
v. Release the Remote	Release the button on the remote control transmitter – the code is set.

## Step 4 TESTING THE SAFETY SYSTEM

The opener automatically adjusts the force required to reverse when closing or to stop when opening when an obstruction is encountered. The operation of the Safety System must be tested whenever there has been any change in settings or any adjustment to the door, and monthly during the operational life of the opener. To test the safety system the following procedure should be used.

### Door Closing Test

- Ensure that the door is open.
- Place a 40mm obstacle laid flat on the floor under the garage door.
- Operate the door in the down direction, the door must reverse on hitting the obstruction.
- If the door fails to reverse, remove the obstacle and reset the door travel limits (ensure the bottom limit is set firmly at the floor). Operate the opener for five cycles, place the 40mm obstacle on the floor under the garage door and then retest.

Note: If the door fails again, there may be a problem with your garage door and you will need to call for service.

- Remove the obstacle and run the opener through a complete travel cycle. Test overload sensitivity by using your hand to resist the closing motion of the door (eg, by holding the bottom rail of the door), the door should reverse at the half open position.

### Door Opening Test

- Ensure that the door is closed.
- Operate the opener to open the door.
- While the door is opening (approximately 1 metre off the floor) hold the bottom edge of the door with your hand. When a reasonable downward force (100 Newtons/10kg) is exerted, the door should halt.
- This will cause the LED's to start flashing to indicate an error.
- Clear the collision error by pressing the operate button or a coded remote control transmitter, the LED's will stop flashing.
- If the door fails to halt, operate the opener for five cycles and then re-test. If the door fails again you will need to call for service.

Note: Check to make sure the door opens and closes properly.



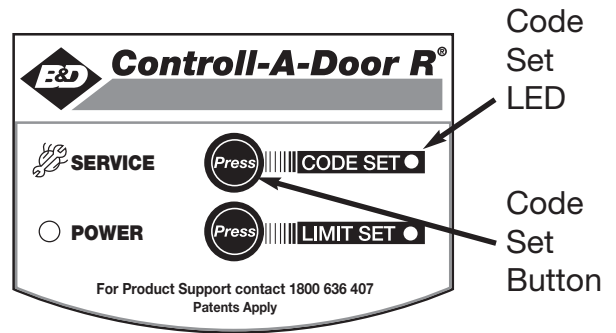
**The safety system is designed to prevent entrapment or serious injury. It relies upon physical contact with objects in the path of the door. The safety system alone may not prevent cosmetic damage to motor vehicles or property.**

Note: The use of safety infra red beams (Part No 062153) is recommended with all installations of automatic garage door openers.

## 2.6 Programming Optional Remote Control Transmitter Features.

You can program each button of your multi channel remote control transmitter so that each button performs a different function. You can program each button of a multi channel remote control transmitter to activate one of the following features:

- To “Operate” the garage door opener – see Step 3,
- to turn on and off the “Courtesy Light” independent of door operation – see 2.7,
- to activate the “Vacation Mode” – see 2.8, or
- to operate the “Auxilliary Output” – see 2.9.



## 2.7 Code Setting “REMOTE COURTESY LIGHT”

Although the courtesy light comes on with each operation of the opener, the courtesy light may also be controlled by a remote control transmitter without operating the opener. To code one of the remote control transmitter buttons to turn the courtesy light on and off:

Press the Code Set 2 times	Press and release the Code Set button twice, the Code Set LED will start illuminate and courtesy light will turn on to show that you are learning the code for controlling the courtesy light.
Press the Remote	Choose a button on the remote control transmitter that is not coded into the receiver, press this button whilst in courtesy light learning and the receiver will store this code.

The Courtesy Light can now be turned on or off by the coded remote control transmitter.

Note: Up to 12 “Smart Codes”, one “Dip Switch Code” and one “Keypad Code” can be stored to operate the courtesy light.

## 2.8 Code Setting “VACATION MODE”

The opener can be programmed into a “Vacation Mode” where the opener will not respond to any remote control transmitter as follows:

Press the Code Set 3 times	Press and release the Code Set button three times, the Code Set LED will illuminate and the courtesy light will flash slowly (once every two seconds) to show that you are learning the code to operate the “Vacation Mode”
Press the Remote	Choose a button on the remote control transmitter that is not coded into the receiver, press this button whilst in Vacation Mode learning and the courtesy light will go out and the Code Set LED will flash rapidly to indicate the receiver has stored this code.

“Vacation Mode” – you can only program one “Smart Code”, one “Dip Switch Code” or one “Keypad Code” to operate this feature. It is recommended that a “Smart Code” remote control transmitter be used as the wall button within the garage – program one button to control the “Vacation Mode” feature.

To activate the Vacation Mode facility, with the garage door in the closed position, press the coded remote control transmitter. The Power LED will flash slowly to indicate that the opener is in “Vacation Mode”.

To exit “Vacation Mode” the opener should be operated from the Operate Button on the courtesy light cover.

## 2.9 Code Setting “AUXILLIARY OUTPUT”

It is possible to operate other devices (eg alarm systems) using one of the spare buttons of a multi channel remote control transmitter coded into the Auxilliary Output feature.

(Refer to Section 3.3 and 4.4 for description of the Auxilliary Output function).

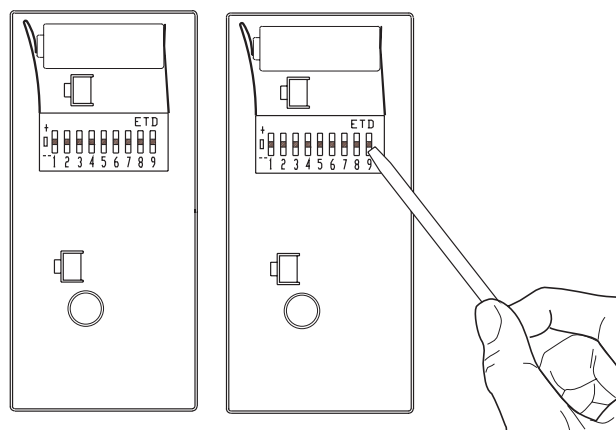
Press Code Set 4 times	Press and release the Code Set button four times, the Code Set LED will flash slowly and the courtesy light will flash quickly (twice per second) to show that you are learning the code to operate the “Auxilliary Output”,
Press the Remote	Choose a button on the remote control transmitter that is not already coded into the receiver, press this button whilst in Auxilliary output learning and the receiver will store this code.

Note: Up to 12 “Smart Codes”, one “Dip Switch Code” and one “Keypad Code” can be stored to operate the Auxilliary Output feature.

## 2.10 SETTING OPTIONAL REMOTE CONTROL TRANSMITTER DIPSWITCH CODES.


Some remote control transmitters have a dip-switch facility. Generally, dipswitches are used when several persons are operating the same opener. The dip-switches must be set to matching positions in all transmitters used to activate the opener.

- Remove the battery cover.
- Set switches in all remote controls to matching positions (+, -, 0). Use a pen or screwdriver.
- Replace covers and program this code.



## 2.11 TO ERASE PROGRAMMED CODES.

If the Code Set button is pressed and held on for 6 seconds, the LED will blink rapidly for one second to indicate that all programmed codes have been erased.

	<p><b>Permanently fix the label warning against entrapment and manual operation in a prominent place or near any fixed controls.</b></p> <p><b>After installation, ensure that the mechanism is properly adjusted and that the opener reverses when the door contacts a 40mm high object placed on the floor under the garage door – see Testing the Safety System.</b></p> <p style="text-align: right;"><b>AS3350</b></p>
---	---

# SECTION 3 – ACCESSORIES

## 3.1 Remote Aerial – Part No 062177

Some sites can cause poor radio reception, ie whenever there is a large mass of metal like all steel garages or underground car parks (large masses of steel reinforced concrete). Metal mass can cause the radio signal to be reduced.

Poor radio reception will be noticed by a reduction in the operating range of the remote control transmitters used on this garage door opener.

You can test to evaluate if fitting an external aerial will benefit as follows:

- test the maximum operating range of the remote control transmitter with the garage door closed; then
- test the maximum operating range of the remote control transmitter with the garage door open.

If the range is improved with the door open then you can install a remote aerial kit to improve the radio reception.

Fit the aerial to a suitable location on the outside of the garage. The radio receiver in your garage door opener is similar to the receiver in your television set, the better the position of the aerial the better the reception will be. Where possible, mount the aerial as high as possible away from masses of metal and in line of sight to the position where you would normally operate your remote control transmitter.

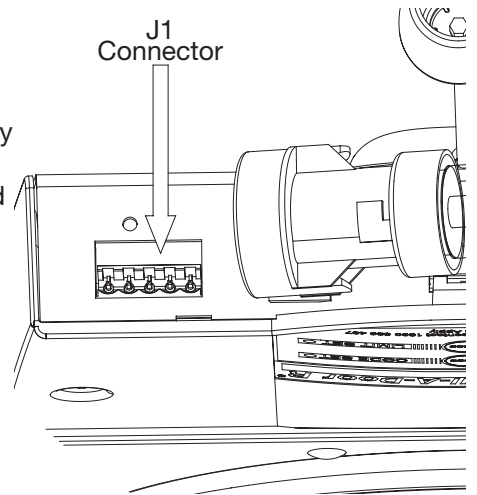
Remove the label on the metal chassis marked “EXTERNAL ANTENNA CONNECTION” to expose the connector and fit the male coax connector into the External Antenna Connection.

## 3.2 J1 Connector

A variety of wired accessory items can be fitted to the J1 Connector (eg Safety Infra Red Beam or a wall switch). In order to connect any wired accessory a standard Plug-in 8A 5.08mm Pitch x 5 PCB Mounting Terminal Block will need to be fitted to the outlet of the Printed Circuit Board. To install this connector you will need to remove the light cover and using a suitable tool, remove the breakout on the cover to allow the wiring to pass through to the opener.

This connector is available as follows:

- Part No 59689 Terminal Connector Pack of 1
- Part No 59690 Terminal Connector Pack of 10



Once the plug has been fitted, wiring of accessory items is as follows:

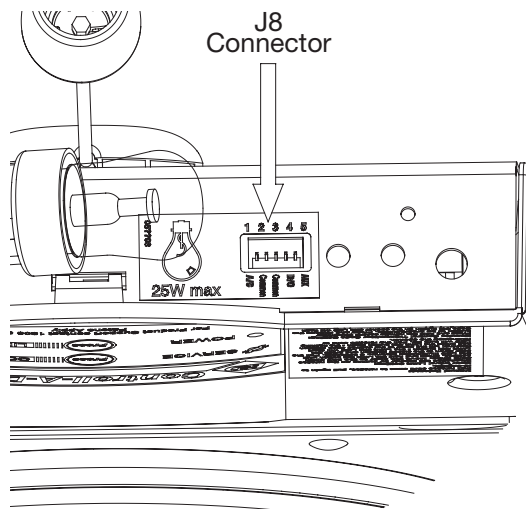
PIN	NAME	DESCRIPTION
1	Ground (-Ve)	Common ground terminal (-Ve) used by all accessories
2	IR Beam	Both of the black with white stripe wires of the Safety Infra Red Beam (Part No 62153) Remote IR sensors should be connected to this terminal (both white wires should be connected to Ground – Pin No 1). The nominal output voltage is 5.5v with a capacity of 50mA before shutdown to low power mode.
3	Power (+Ve)	Power output for external receiver or other powered accessory - Voltage 12-17 VDC. Maximum continuous current capacity 100mA. This output is protected against short circuit by a 200mA polyfuse.
4	Door Travel Limit Setting	A normally open, momentary push button can be connected between this terminal and Ground (Pin No 1) to provide a remote Limit Set switch as an alternative to the limit setting described in Door Travel Limit Setting.
5	Remote Operate	A normally open, momentary push button can be connected between this terminal and Ground (Pin No 1) to provide a remote Operate switch. This switch may be illuminated with an LED as this pin has an integral 560 ohm pull-up to +Ve (i.e. 19mA @ 1.5v).



### 3.3 J8 Connector

A variety of wired accessory items can be fitted to the J8 Connector (eg to operate an alarm system). An Interface Cable Kit will need to be fitted to the J8 outlet of the Printed Circuit Board. To install this cable kit you will need to remove the light cover and using a suitable tool, remove the breakout on the cover to allow the wiring to pass through to the opener.

This cable kit is available as Part Number 59342.



Once the plug has been fitted, wiring of accessory items is as follows:

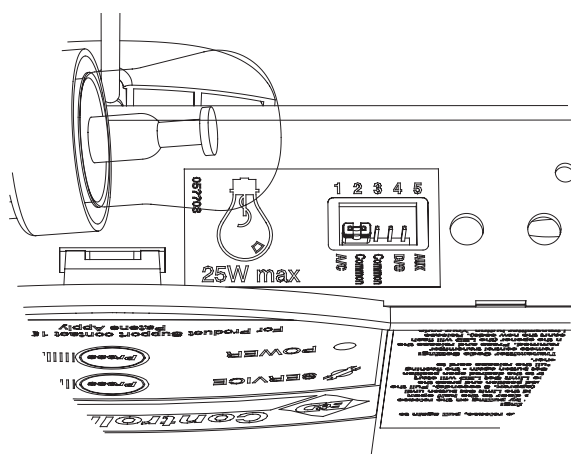
PIN	NAME	DESCRIPTION
1	A/C	When the jumper connects pin 1 and pin 2 and the safety infra red beams are functioning, the autoclose function is enabled – see autoclose feature
2	Common	Common ground terminal (-Ve) used by all accessories
3	Common	Common ground terminal (-Ve) used by all accessories
4	D/O	When the garage door opener is at the bottom limit, this output will be active. This output is an open collector isolated transistor (30v, 100ma), “connected” to common when the door is closed.
5	AUX	When a remote control transmitter is coded to operate the AUX function, pressing the remote control transmitter will cause pin 3 and pin 5 to be momentarily closed. This output is an opto-isolated open collector transistor that accepts up to 30V and 100mA.

Note: Any pin may be shorted to any other pin or ground without damaging the opener. Whilst the short circuit exists the opener will fail to operate. This feature protects against damage caused by shorts in external accessory wiring.

### 3.4 Autoclose

When autoclose is selected, the door will close automatically 30 seconds after opening. An IR Beam must be fitted and enabled for this feature to work. If the IR Beam is interrupted while the door is closing (for example by a person walking through the doorway), the door will stop and reverse to the fully open position.

If an Infra Red Beam Kit is fitted but not operating correctly (or if the beam is continuously broken), the door once opened cannot be closed automatically. The door can be closed using Manual Operation. This condition is indicated by diagnostic codes – see Diagnostic Codes section of this manual.



The autoclose feature is enabled by fitting the jumper between pins 1 and 2 (closest to the light globe) of the rectangular connector as shown. When the door is opened, it will automatically close after 30 seconds.

## SECTION 4 - HOW TO OPERATE

For maximum efficiency of your opener, your garage door must be in good operating condition. An annual service of the door by an authorised dealer is recommended. (Refer to Warranty conditions in Section 8).

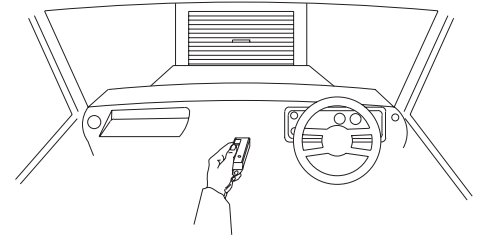


**Activate the opener only when the door is in full view, free of obstructions and with the opener properly adjusted. No one should enter or leave the garage while the door is in motion. Do not allow children to play near the door.**

**This opener is a mains voltage plug-in domestic appliance and there are no user serviceable parts inside this opener**

### 4.1 Remote Control Transmitter

- To operate the garage door opener, press the programmed button of the remote control transmitter until your door begins to move (usually 2 seconds). For an entry keypad, enter the coded pin number (or name), press and hold the enter button for 2 seconds until the door starts to move.
- Make sure you can see the door when you use the remote control transmitter.
- If you are in a vehicle you should aim the remote control transmitter through your windscreen. If your remote control transmitter has a visor clip, it should be secured to the visor so that when the remote control transmitter is operated it is transmitting through the vehicle windscreen.
- Check that the door is fully closed before you drive away.
- If you press the remote control transmitter whilst the door is moving:
  - i. Downwards – the door will stop and then reverse to the open position.
  - ii. Upwards – the door will stop, with the next press of the remote control transmitter the door will move downwards.



**Note: Once the door is moving, the operating distance of the remote control transmitter is significantly less than when the door is stationary.**

The remote control transmitter may also be programmed to operate the following features (see the section on Programming Optional Remote Control Transmitter Features):

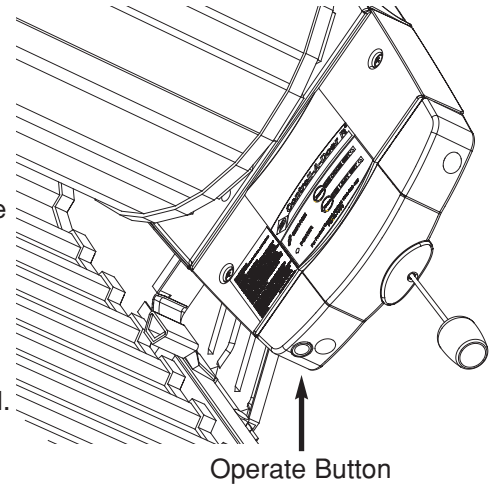
- to turn the courtesy light on and off without operating the door,
- to activate the Auxilliary Output, and/or
- to put the garage door opener into “Vacation Mode” where it will not respond to any remote control transmitters.

Additional remote control transmitters may be purchased at any time.

#### 4.2 Manual Operate Button.

Incorporated in the light cover is an operate button. Pressing this button will operate the door, (the same as the remote control transmitter). It is also used to exit from "Vacation Mode" if this feature is activated.

If the LEDs are flashing a diagnostic code, pressing this button will reset the opener and stop the flashing LEDs.



#### 4.3 Inbuilt Locking Facility

**DO NOT** lock your door with the locking bars when your opener is engaged. This opener has an inbuilt locking facility. With the opener engaged your door will be locked whether the power is on or off.

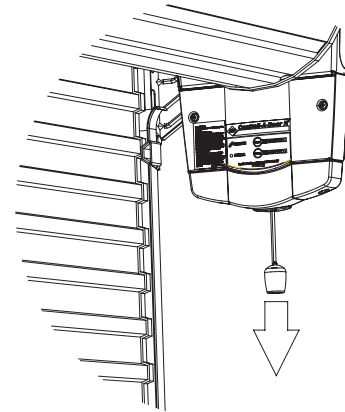
#### 4.4 Manual Door Operation

	<p><b>Use caution when operating the manual release with the door open since it may fall rapidly due to weak or broken springs, or an improperly balanced door. AS3350</b></p> <p><b>Caution: Do not disengage the opener to manual operation with children/persons or any objects including motor vehicles within the doorway.</b></p>
--	---

To disengage the opener from the door, (preferably with the door in the closed position) pull down on the red disengagement handle – you will hear a 'click'.

Pulling down on the red handle again (click) will re-engage the opener, i.e. automatic operation.

You may manually open or close the door any time without affecting the pre-set limits.

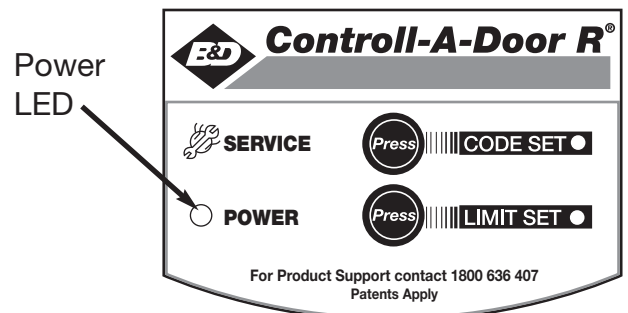


	<p><b>Warning:</b> When the opener is manually disengaged, the door is no longer locked. When the door is closed you should either :</p> <ol style="list-style-type: none"> <li>Re-engage the opener, or</li> <li>Use the manual locking bars if fitted to the door. Do NOT operate the opener when the locking bars are engaged.</li> </ol>
--	--

#### 4.5 Power Failure

When there is a power failure, the garage door opener will be unable to automatically open or close your garage door. To use your door whilst there is no power you will need to disengage the garage door opener and use the door manually - see Manual Operation.

When the power resumes your garage door opener will be automatically reset. The Code Set and Limit Set LED's will flash for a few seconds whilst the garage door opener undergoes a self-test. The Power LED will then come on, returning your opener to normal operation.



#### 4.6 Safety Infra Red Beam Option

A Safety Infra Red Beam Kit (Part No 62153) may be fitted to this opener.

- When this option is fitted, the operation of this device is such that if an object (i.e. car, child, etc) blocks the infra red beam, then the garage door opener will not close the door automatically.
- If the Safety Infra Red Beam is fitted but not operating correctly, then the door once opened automatically, will not close automatically. The door may be closed by reverting to manual operation – see manual Operation. Refer to the Diagnostic Codes section of this Instruction Manual.

#### 4.7 Auto Close Option

To have the Auto Close option you must also have a Safety Infra Red Beam (Part No 62153) fitted and functioning. To enable the Autoclose function remove the light cover from the garage door opener and move the jumper that is fitted in the J8 Connector to pins 1 and 2 (nearest the light globe).

When this option is selected the door will attempt to close automatically 30 seconds after opening.

If the Infra Red Beam is interrupted whilst the door is closing (for example by a person walking through the doorway), the garage door opener will stop the door and reverse the door to the fully open position.

If the door does not close automatically, you may close the door using Manual Operation.

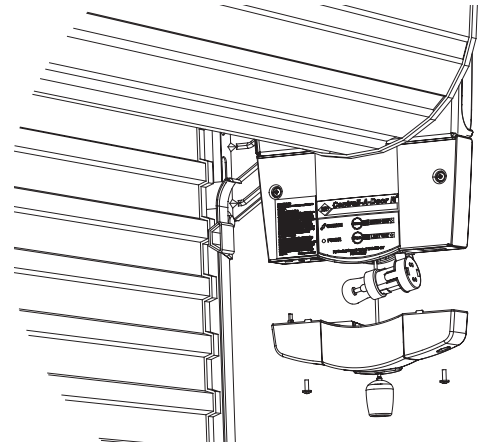
#### 4.8 Remote Control Transmitter Battery

When necessary, remove the cover and replace the battery with the same type. Dispose of the old batteries properly.

#### 4.9 Changing the Light Globe

Your opener uses a 240 Volt, 25 Watt, standard Pilot Light globe. If you should need to change a light globe, proceed as follows:

1. Close the garage door to gain better access.
2. Turn off the power at the power point.
3. Remove the light cover – it is held in place by 2 phillips head screws.
4. Remove the light globe and replace with a suitable new globe of the same type and wattage.
5. Refit the light cover.
6. Turn the power on, and
7. Press the operate button to ensure the opener is functioning correctly.



#### 4.10 Courtesy Light

The Courtesy Light will illuminate for approximately 4 1/2 minutes each time the door is operated automatically.

Spare buttons of multi channel remote control transmitters (Smart Code or Dip Switch Code) or an entry keypad can be programmed to turn the light on and off by remote control.

When the Courtesy Light is operated by a remote control transmitter it will turn off after approximately 4 1/2 minutes.

#### **4.11 Auxilliary Output**

The radio receiver of this garage door opener can be used to operate other devices. Connect an interface cable kit to the J8 Connector on the garage door opener and the device to be controlled (eg an alarm panel, security lights, etc).

Program a spare button of a multi channel remote control transmitter (Smart Code or Dip Switch Code) or an entry keypad, to operate the Auxilliary Output feature of this garage door opener. When the programmed remote control transmitter is operated it will cause the connections on the J8 Connector to close momentarily.

#### **4.12 Vacation Mode**

The radio receiver of the garage door opener can be turned off using a remote control transmitter to activate the Vacation Mode facility. Whilst in vacation mode the opener will not respond to any remote control transmitters.

To activate the Vacation Mode facility, with the garage door in the closed position, press the coded remote control transmitter. The Power LED will flash slowly to indicate that the opener is in "Vacation Mode".

Vacation Mode can only be activated when the garage door is in the closed position.

To exit Vacation Mode press the Operate Button on the light cover of the garage door opener.

You may program one "Smart Code", one "Dip Switch Code" or one "Keypad Code" to operate this feature. It is recommended that a "Smart Code" remote control transmitter be used as the wall button – program one button to control the "Vacation Mode" feature. This will reduce the possibility of accidental activation of this feature.

#### **4.13 Door Open Indicator**

This garage door opener has a Door Open Indicator. When the garage door opener is at the bottom limit, the terminals 3 and 4 of the J8 connector will become active to provide an indication of the status of the door. For example, this can be wired into home automation or alarm systems.

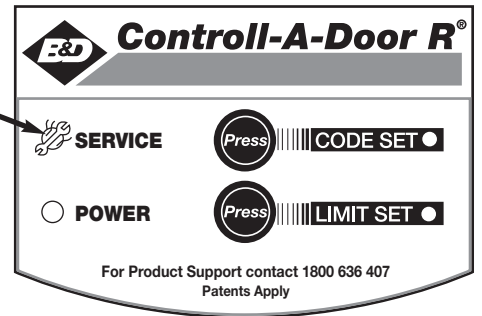
# SECTION 5 - MAINTENANCE

## 5.1 Maintenance

The Service LED will indicate the requirement for service and/or adjustment. Whilst the Service LED is illuminated the courtesy light will flash five times each time the door is operated until the Service LED is reset.

To reset the Service LED when the door is serviced, reprogram the Door Travel Limits and the Door Travel Force – on completion of this programming the Service LED will go out.

Service Indicator LED



Whilst your opener does not require any periodic maintenance, the door that it is fitted to does. Your garage door is a large, heavy, moving object and should be tested regularly to ensure it is in good condition. A poorly maintained door could cause fatal or serious injuries.

To ensure long and trouble free life of your opener the following is recommended:

## 5.2 Monthly

- Disengage the opener and manually operate the door. The door must be smooth to operate by hand, and operating force on the bottom rail should not exceed 200 Newtons (20kg) force.
- Each month check that the opener reverses when the door contacts a 40mm high object placed on the floor. (AS3350). Refer to Testing the Safety System.

If the door does not operate smoothly, call your nearest Authorised Dealer.

## 5.3 Yearly

- We suggest that you contact your nearest Authorised Dealer to perform annual door service.



**Warning:** Failure to maintain your garage door may void the warranty on your garage door opener.

Record any services in the following table to assist in any warranty service.

Date	Service Performed By	Signature	Amount	Invoice No.



Frequently examine the installation, in particular cables, springs and mountings, for signs of wear, damage or imbalance. Do not use if repair or adjustment is needed since a fault in the installation or an incorrectly balanced door may cause injury.  
**AS3350**  
 Adjustments should only be carried out by experienced persons, as this function can be dangerous if not performed under strict safety procedures.

## SECTION 6 – SAVE A SERVICE CALL

Symptom	Probable Cause(s)	Remedy
The opener does not work from either the button on the light cover or the hand remote control transmitter	Garage door in poor condition e.g. springs may be broken	Check the door for normal operation - see monthly maintenance.
	Manual door lock engaged	Disengage door locks
	The opener does not have power	Plug a device e.g. a lamp, into the power point and check that it is OK.
The motor runs but the door does not move	The opener is disengaged	Re-engage the opener
The opener works from the button on the light cover but not from the hand remote control transmitter	The battery in the remote control transmitter is flat	Replace the battery
	The opener has been put into "Vacation Mode"	Turn off "Vacation Mode" by pressing the operate button on the opener
	The transmitter code has not been set	See remote control transmitter & code setting
The remote control transmitter range varies or is restricted	Variations are normal depending on conditions e.g. temperature or external interference	See Instructions for correct use of remote control transmitter
	The battery is flat or faulty	Replace the battery
	Position of the remote control transmitter in the motor vehicle	Change the position - see Instructions for correct use
	Position of the aerial will not pick up the radio signal	Install an external aerial kit – see Accessories Section
The light does not work	The globe has blown	Replace the globe
The door reverses for no apparent reason	This may occur occasionally from weather changes, usually during the first year	The opener automatically adjusts to compensate for changes in the door operating force
The door opens but will not close	Auto close or safety infra red beam not operating correctly	Check the installation

### If You Need a Service Call

If the operator needs service please call the dealer who installed the operator (for product assistance contact 1800 636 407 within Australia).

Before calling for service you should have the following information to assist in providing the correct service:

1. Has anything happened since the door was last operating OK e.g. storm, a jolt to the door etc?
2. How easy is it to manually open and close the door?
3. What model is the opener?
4. Who installed the opener?
5. When was it installed?
6. Are there any error codes, see Section 6 Diagnostic Codes?



# SECTION 7 – DIAGNOSTIC CODES

Slow flashing of the Green Power LED on the front panel indicates the opener is in vacation Mode – see Section 4. If the Service LED is on it indicates the door is overdue for service, if the Service LED is flashing it indicates that there may be a problem that requires urgent attention.

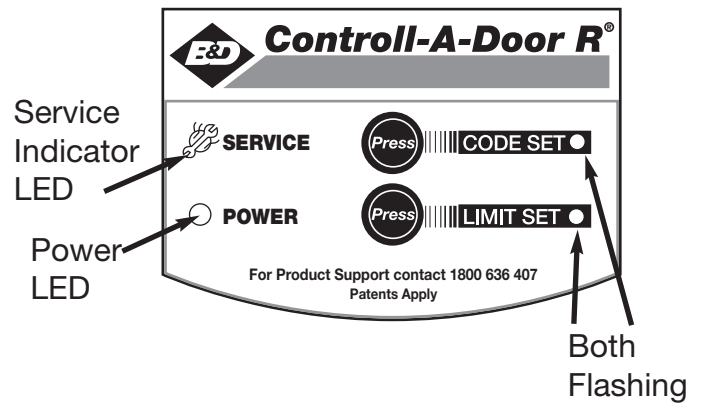
Record the diagnostic code then turn off the power to the opener. After 15 seconds reconnect power to the opener. The Code Set and Limit Set LED's will flash continuously for a few seconds whilst undergoing a self test. This will clear the flashing error code.

Operate the opener – if there is a continuing problem, the type of problem can be identified by checking the red Code Set and Limit Set LEDs. Counting the number of flashes of these LEDs reveals the diagnostic code.

The diagnostic code format is:

Number of Code Set flashes and  
Number of Limit Set flashes.

1 flash of the Code Set LED followed by 2 flashes of the Limit Set LED gives problem code 1-2. This code in the table below shows that either the opener is disengaged or the door is sticking.



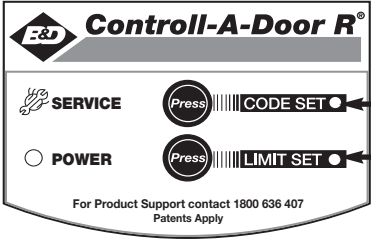
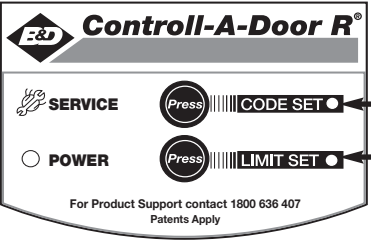
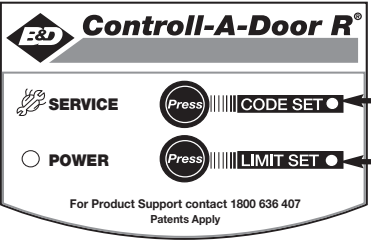
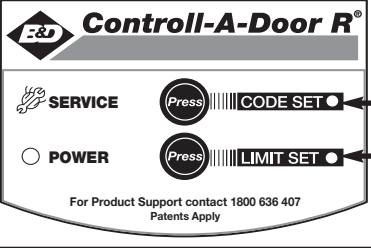
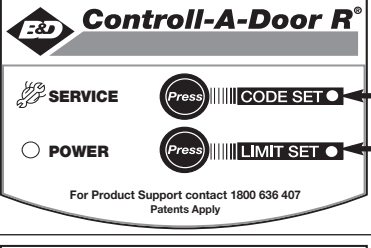
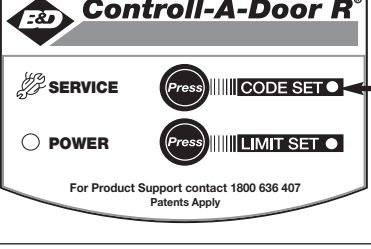
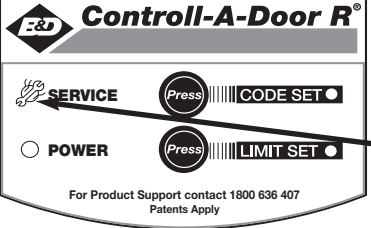
## Diagnostic Code

## Action

<p>1-1</p>	<p>The opening force setting has been exceeded while the door was opening. With the opener disengaged, check that the door is running freely. If the door operates normally, reprogram the door travel limit setting (see step 1)</p>
<p>1-2</p>	<p>The door has not maintained the minimum speed while opening. Check that the opener is engaged. With the opener disengaged check that the door is running freely - the door may need service.</p>
<p>1-3</p>	<p>The motor has run continuously for more than 30 seconds without successfully opening or closing the door. The door you are operating is too high or too stiff for the opener (the door should be serviced and correctly balanced).</p>
<p>1-4</p>	<p>Possible opto gear failure or Printed Circuit Board failure. Contact an authorised dealer for service.</p>

**Diagnostic Code**

**Action**

 <p>For Product Support contact 1800 636 407 Patents Apply</p>	<p>Check the wiring to the Safety Infra Red Beams. The wiring may be short circuit or open circuit. If there are no faults in the wiring the IR Beam detectors may need servicing or replacing.</p>
 <p>For Product Support contact 1800 636 407 Patents Apply</p>	<p>The operate button in the light cover is stuck – remove the light cover and check that the operate button is not stuck. An external operate button is shorted – remove the accessory plug to identify fault.</p>
 <p>For Product Support contact 1800 636 407 Patents Apply</p>	<p>The Limit Set button is stuck – contact an authorised dealer for service. An external limit set button is shorted – remove the light cover and remove the accessory plug. If fault remains contact an authorised dealer for service.</p>
 <p>For Product Support contact 1800 636 407 Patents Apply</p>	<p>The Code Set button may be stuck down. Try pressing the button or reset the opener. If problem persists contact an authorised dealer for service</p>
 <p>For Product Support contact 1800 636 407 Patents Apply</p>	<p>3-1 or more flashes indicates an internal electronic fault has occurred. Call an authorised dealer for service</p>
 <p>For Product Support contact 1800 636 407 Patents Apply</p>	<p>The Code Set LED will illuminate whenever a 433MHz signal is being transmitted. If the Code Set LED stays on it indicates that there is possibly a 433MHz remote control transmitter with a button stuck on. To identify the faulty remote control transmitter, remove the battery from each transmitter checking the Code Set LED each time. When the battery is removed from the faulty transmitter the Code Set LED will go out.</p>
 <p>For Product Support contact 1800 636 407 Patents Apply</p>	<p>If the Service LED is ON it indicates the door is overdue for service. If the Service LED is flashing it indicates the door and/or opener may need urgent attention. The courtesy light will also flash five times each time the door is operated whilst the Service LED is illuminated. Contact an authorised dealer.</p>

While the opener is flashing an error code it will not respond to a remote control signal, nor can it learn codes or limits.

The opener can be reset from error mode by either:

- interrupting the mains power,
- operating a previously coded remote control transmitter; or
- by pressing the operate button.

## Section 8 – Controll-A-Door Automatic Garage Door Opener Warranty

### 1. Definitions

‘B&D’ means

- (a) in Australia - B&D Doors of 17 Oasis Court, Clontarf Queensland 4019, a division of B&D Australia Pty Ltd (ABN 25 010 473 971), or
- (b) in New Zealand - B&D Doors NZ Pty Ltd of 70 Allens Road East Tamaki Auckland, which is a subsidiary of B&D Australia Pty Ltd.

‘Purchaser’ means the purchaser of the Opener.

‘Opener’ means the ‘Controll-A-Door Automatic Garage Door Opener’

‘Authorised Distributor’ means an authorised B&D distributor of the Opener.

‘Major Components’ means all components of the Opener that make up the power head that is attached to a garage door.

‘Ancillary Components’ means all components of the Opener which are not Major Components.

‘Manufacturer’s Written Instruction Manual’ means the instruction manual provided with the Opener.

- 2. This warranty applies to every sale of an Opener to a Purchaser by B&D or its Authorised Distributor, and is the only warranty given on behalf of B&D.
- 3. B&D warrants that it will, at its option, either repair or replace any defects:
  - (i) in materials or workmanship in the Opener, subject to the following:
    - (a) for Major Components of the Opener that are installed by B&D or an Authorised Distributor the warranty shall be valid for a period of sixty (60) months;
    - (b) for Major Components of the Opener that are not installed by B&D or an Authorised Distributor the warranty shall be valid for a period of twelve (12) months, provided that all costs of disconnection, reinstallation and freight shall be borne by the Purchaser.
    - (c) for Ancillary Components of the Opener the warranty shall be valid for a period of twelve (12) months.
  - (ii) in installation for a period of twelve (12) months from the date of installation where the Opener has been installed by B&D or its Authorised Distributor.
- 4. The warranties provided in clause 3(i) shall only apply to an Opener which is being used under normal use and service in accordance with the Manufacturer’s Written Instruction Manual and are limited to the repair or replacement, at B&D’s option, of any defective Opener or parts thereof.
- 5. The warranty provided in clause 3(i) shall apply from:
  - (i) the date of delivery of the Opener by B&D; or
  - (ii) the date of installation of the Opener by B&D or one of its Authorised Installers; or
  - (iii) the date of purchase of the Opener by the Purchaser;whichever is the later.
- 6.
  - (i) Where the Opener has been sold to the Purchaser by B&D, the Purchaser shall make all warranty claims hereunder directly with B&D;
  - (ii) Where the Opener has been sold to the Purchaser by an Authorised Distributor, the Purchaser shall make all warranty claims hereunder directly with the Authorised Distributor.
- 7. The purchaser will pay for any service call made by B&D or an Authorised Distributor where such a call is made for the purpose of adjustment (as described in the Manufacturers Written Instruction Manual) and not for rectification of a defect pursuant to the warranty hereunder.
- 8.
  - (i) The Purchaser shall be responsible for any expense incurred by B&D or an Authorised Distributor in ensuring that the Opener is readily accessible for any repair work carried out under this warranty.
  - (ii) Where an Opener is installed outside a capital city metropolitan area and a warranty claim is made pursuant to this warranty, any travelling expenses and costs of transporting the Opener, incurred by B&D or its Authorised Distributor, shall be borne by the Purchaser.

9. Subject to paragraph 12 hereof;
- (i) the obligations of B&D under this warranty are limited to those contained herein and such warranties are expressly in lieu of all other warranties, express or implied, including any implied warranty of merchantability or fitness for a particular purpose and notwithstanding any course of dealing between the parties or custom and usage in the trade to the contrary.
  - (ii) B&D shall not be subject to nor incur and the Purchaser releases B&D from any claim or liability (including consequential loss or damage and loss or use or profit) by reason of delay, defective or faulty materials or workmanship, negligence or any act, matter or thing done, admitted or omitted by B&D.
10. Subject to Clause 12 hereof, this warranty does not extend to and B&D will be relieved of all obligations, responsibilities and liabilities (direct or consequential) in the event that defects in manufacture of the Opener are directly or indirectly in the opinion of B&D due to or result from:
- (i) being fitted to any door or other closing device which is not of the type or condition defined in the Manufacturer's Written Instruction Manual as suitable for installation of the Opener.
  - (ii) Lack of proper maintenance or care – failure to have the door serviced annually may void this warranty.
  - (iii) Incorrect and unreasonable use.
  - (iv) Faulty installation or adjustment of the Opener or door to which the Opener is connected where such installation or adjustment is not carried out by B&D or one of its Authorised B&D Distributors.
  - (v) Failure to observe any instructions or directions provided with the Opener or given to the Purchaser by B&D or an Authorised Distributor.
  - (vi) Modifications or repairs made or attempted to be made by any unauthorised person.
  - (vii) Faulty electrical wiring of structures to which the Opener is affixed.
  - (viii) Radio (including citizen band transmissions) or other electronic interference.
  - (ix) Water damage, including effects from rust and corrosion.
  - (x) Use with doors locked.
11. The warranty contained in Clause 3 does not cover batteries or globes and B&D shall not be liable for any defect, malfunction or failure of such items.
12. It is expressly provided that the warranties or any terms and conditions of them or other statement contained in this document or other literature given to the Purchaser shall not be read or applied so as to purport to exclude, restrict or modify or have the effect of excluding, restricting or modifying the application in relation to the supply of the Opener of all or any of the provisions of Divisions 2 and 2A of Part V of the Trade Practices Act, 1974, or the Consumer Guarantees Act 1993 if the purchase is a 'consumer' and purchased the opener in New Zealand, ("The Act") as amended or the exercise of a right conferred by such a provision or any other condition or warranty implied by any relevant State Act or Territorial Ordinance or by the general law and which by law cannot be excluded, restricted or modified provided that to the extent that the Act permits B&D to limit its liability for a breach of condition or warranty implied by the Act, B&D's liability for such breach shall be limited to the payment of the cost of replacing the Opener or acquiring an equivalent Opener or repairing the Opener.
13. This warranty shall be governed by and construed in accordance with Australian law if the opener was purchased in Australia, or New Zealand law if the opener was purchased in New Zealand
14. Upon making a claim under this warranty the purchaser must produce proof of the date of purchase, together with the details set out below:

<p><b>Purchased from:</b> _____</p> <p><b>Installed by:</b> _____</p> <p><b>Installed on (date):</b> _____</p>
--

The Purchaser shall complete this certificate and keep it together with a copy of the receipt of purchase in a safe place – production of such information will assist the handling of a claim made under this warranty.

**There is a range of additional accessories for your added convenience and security.**

- **Safety Infra Red Beams.** Gives additional protection if the door is closing onto your property or person. Simply breaking the beam “stops” the door! Must be fitted if autoclosing feature is operational – Part No 62153
- **Keyring remote control transmitter.** Ideal for personal use when entry into the house may be via the garage – Part No 62162
- **Entry Keypad.** Key in your own 4 digit PIN (Personal Identification Number). Allows you to open the garage without taking a key or remote control transmitter with you. Ideal for children or when out jogging (no need to hide a key!) – Part No 62173
- **Remote Control Transmitter Wall Button.** Allows you to operate the opener within 10 metres of the door. Ideal for mounting inside the house – Part No 62163
- **Remote Control Transmitter 3 Channel 433MHz.** Get a spare remote control transmitter for your second car or mount it inside the house for convenient operation of your garage door – Part No 62170
- **Combo Access Kit.** Keyswitch function will open the door without a remote control transmitter. can be used to manually disengage the opener, recommended when the garage door is the only access to the garage – Part No 59009
- **Interface Cable Kit.** The J8 terminal has a remote operate function. Connect this cable to the J8 terminal, connect the other end to any device that requires a momentary close to operate; such as alarm systems. Each time you press a programmed remote control transmitter, this output will momentarily close – Part No 59342
- **Remote Aerial Kit.** For sites where radio range may be reduced (metal garages) – Part No 62177.



**When installing accessories, always follow the manufacturer's instructions included with the product**

**For Product support within Australia contact 1800 636 407**

- QLD Office:** B&D Doors, 17 Oasis Court, Clontarf 4019.  
Ph: (07) 3883 0200
- NSW Office:** B&D Doors, 34-36 Marigold Street, Revesby 2212.  
Ph: (02) 9722 5555
- VIC/TAS Office:** B&D Doors, 147-153 Canterbury Road, Kilsyth 3137.  
Ph: (03) 9237 7766
- SA Office:** B&D Doors, 23 Frederick Road, Royal Park 5014.  
Ph: (08) 8447 4747
- WA Office:** B&D Doors, 96 Mulgul Drive, Malaga 6062.  
Ph: (08) 9247 8777
- NZ Office:** B&D Doors New Zealand, 70 Allens Road, East Tamaki,  
Auckland. Ph: (09) 273 8600 [www.bnd.com.nz](http://www.bnd.com.nz)



B&D Doors is a Division of B&D Australia Pty Limited  
A.B.N. 25 010 473 971  
[www.bnd.com.au](http://www.bnd.com.au)