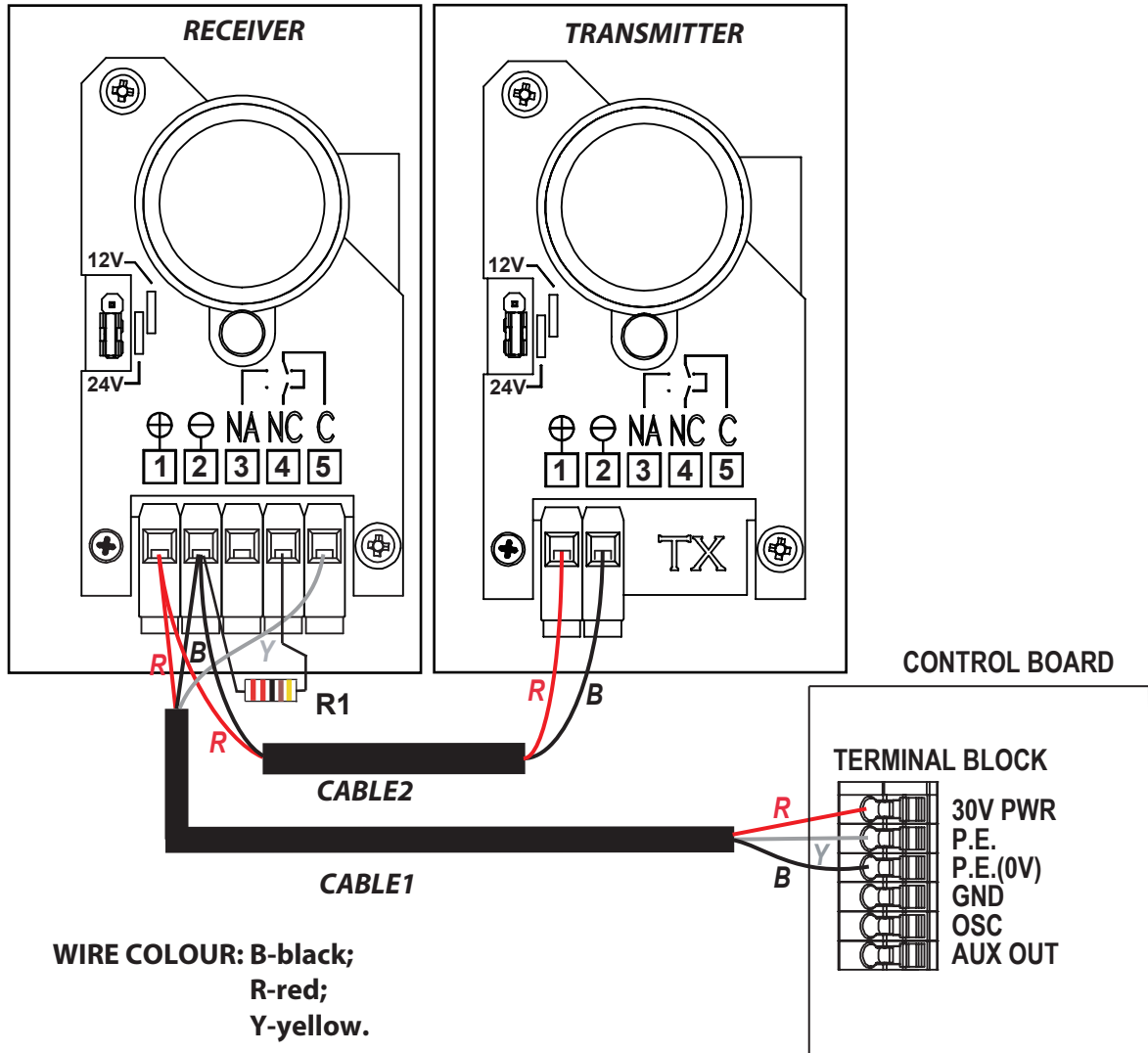


# PHOTOELECTRIC (P.E.) BEAM INTERFACE KIT

The P.E. Beam Interface Kit is designed to connect the Photoelectric Beam (PE-2) Detector to a garage door opener (GDO-6, GDO-7, GDO-9, RDO-1, SDO-1, SDO-2 ect.). The figure below shows the required connections for a typical installation.



Resistor R1	Resistor Colour Code	Control Board
2.2kOhm, 1/4W	<p>R-red BL-black BR-brown G-gold</p>	<b>ACB01 (SDO1V2)</b> <b>ACB05 (GDO7V2)</b> <b>DCB01(RDO1V2, SDO2V1)</b> <b>DCB03(GDO6V3, GDO9V2, GDO9V3)</b>
5.6kOhm, 1/4W	<p>GR-green BU-blue BL-black BR-brown G-gold</p>	<b>ACB03,</b> <b>DCB05, DCC06 (GDO10)</b>

## IMPORTANT NOTE

Doors that exert more than 400N (40kg) closing force must have a photoelectric beam detectors fitted for safety. In this case, the detector should be mounted so that any object obstructing the door opening must be sensed by detector (See Installation Instruction Manual, clause "Fitting the P.E.Beams"). The P.E.Beams will be active only after the Opener has moved the door through completed open or close cycle.