

WE POWER YOUR DRIVE

GARAGE DOORS, JUST GOT EUROPEAN

4D Doors, with their partners, have been a leading manufacturer of garage door openers for more than 50 years. With our production facility in Germany, 4D Doors satisfies a wide range of customers needs by offering reliable and practical solutions.

All components found in 4D Doors products are of the highest quality. Endurance testing and rigorous final inspection ensure the quality and reliability that 4D Doors is famous for.

4D DOOR'S FULL RANGE OF QUALITY PRODUCTS

- ▶ Garage door openers
- ▶ Underground car park and industrial door openers
- ▶ Swing and sliding gate drives
- ▶ Barriers
- ▶ Parking shut-off systems
- ▶ Wireless remote controls
- ▶ Garage Doors
- ▶ Gates

DOORS JUST GOT EXCITING

CHOOSE 4D DOORS



office@4ddoors.com.au www.4ddoors.com



CO2 Savings* 220 kgs

* By comparison the average Australian home generates 1,333kg CO2 per month.

Master Craftsman and Installers

4Ddoors

Affordable Ingenuity

CERTIFIED SAFETY
24 V MOTOR
BiSure RADIO TECHNOLOGY
230 V MOTOR

Swing and sliding gate openers for private and commercial applications

Safety and convenience for your entranceway



Edition 2 3/2015

The 4Ddoors swing and sliding gate openers: Safe, convenient and reliable

4Ddoors swing and sliding gate openers ensure that your entrance gates need never be laboriously opened by hand, even with heavy traffic volumes, rain or snow. The push of a button is all it takes to open and close your entrance gate at any time, reliably, quickly and safely. Our powerful drives are perfect for any application and can also be simply retrofitted: Select the ideal 4Ddoors drive for your private home or for commercial applications from our extensive product range. Regardless of which Berner opener you decide on, you have selected high quality, state-of-the-art technology and a step forward for safety.

BiSure RADIO TECHNOLOGY
SENSITIVE OBSTACLE DETECTION SYSTEM
CONVENIENT
24 V MOTOR
ROBUST
DURABLE
230 V MOTOR

The powerful 4Ddoors arguments



Sensitive obstacle detection system

With the integrated, intelligent automatic shutdown function, the gate detects obstacles, stops immediately and automatically opens again. As a result, there is no risk of getting caught in the door.



Soft start and soft stop

The integrated automatic soft start and soft stop guarantee safe and reliable gate travel. The 4Ddoors opener opens and closes the gate particularly quietly and runs absolutely smoothly whilst doing so. Long service life and functionality are amongst our top priorities.



Robust and durable

The weatherproof and durable materials that we use for our drives guarantee a long service life and fault-free day-to-day use. Inherent in typical 4Ddoors quality is the use of high quality and robust materials, making Berner products nigh on indestructible!



Made in Germany



The new 4Ddoors wireless technology Multifunctional with new design



Our new, attractive remote controls not only look good, they can also do much more. The previous technology was completely overhauled for improved safety and conveniences and now provides many new features.



The benefits:

- Bidirectional encryption method
 - Highest security level against the scanning and reading of the radio signal
 - Remote control with BiSure wireless technology confirms the successful transmission of the signal with the orange LED
 - Compatibility with the current Berner wireless system
 - Batteries in standard AAA size - for long service life
 - Safe and stable range
- * With your 4Ddoors garage door opener the multi-coloured LED on the 5-channel remote control indicates the gate status.

The remote control confirms the successful transfer of the signal.



The BDS120 and BDS140 remote controls receive the information from the gate radio receiver that the signal has been transferred securely and indicates this with the orange LED.

Practical and versatile in use

Versatile 4Ddoors accessories are always practical in daily use and leave nothing to be desired. Whether you want to open your door at the push of a button while on the move or if a stationary solution is optimal for your requirements, we offer intelligent solutions for indoor and outdoor areas. 4Ddoors accessories - safe and convenient.

The new remote control with BiSure wireless technology: Convenient and safe



BDS120

The practical BDS120 – simply attach it to your key chain and never search again. Small, attractive and always on hand.



BDS140

The mobile BDS140 - simply clip it onto the sun visor for convenient opening and closing at the push of a button - always close at hand and can also be used whilst driving. Optional mounting facility with practical wall mount.



Easy battery replacement
A regular battery (AAA) can be used in the BDS140 remote control. So easy it's child's play.

In focus:

The 4Ddoors safety advantage

4Ddoors swing and sliding gate openers are not only reliable and durable, above all they are particularly safe and that also includes extreme situations. Innovative technology, 100% safety, highest quality as well as the new BiSure wireless technology are typical for 4Ddoors openers – always a step ahead.

Extremely safe

Regardless of the current position of the gate, 4Ddoors swing and sliding gate openers ensure that it is 100% safe. The 4Ddoors opener will stop the gate at any stage of the opening or closing as soon as there is an obstacle in its path. The sensitive obstacle detection system stops the gate immediately, making trapping and damage impossible.

Reassuringly reliable

The soft-start and soft-stop functions which are integrated into the drive as standard, ensure quiet and safe gate movement. The gate runs smoothly and brakes gently when closing - reliably and quietly. This extends the service life of the complete gate system and guarantees trouble-free running when closing or opening the gate.

Permanent functional safety

The particularly robust and powerful 4Ddoors swing and sliding gate openers guarantee absolute functional and operational safety in any situation. The use of weatherproof materials makes our drives particularly durable and resilient.

Perfectly tailored accessories

The original 4Ddoors accessories make the use of our swing and sliding gate openers even more safe. For example, with gates where the field of view is restricted, light barriers detect people and objects without making contact and thus secure the entranceway reliably and simply.

BiSure inside

The new 4Ddoors BiSure wireless technology communicates with you - a glance is enough and you know whether your radio signal has been successfully received. That is especially safe and practical. Furthermore, the BiSure system incorporates anti-code-grabbing technology ensuring a particularly secure transfer of the radio signal, stability and greater range.

Sturdy construction

The robust, sturdy inner workings of our drives guarantee functional security and durability.



Trapping impossible

The intelligent shut-off technology detects every obstacle and stops the drive automatically.



Safety accessories

4Ddoors light barriers detect hazards before you perceive them yourself, and react quickly and reliably.

4Ddoors swing gate openers for every application

The 24 V and 230 V 4Ddoors swing gate openers are suitable for both private and commercial applications. They are permanently weatherproof and completely maintenance free. They open and close your entrance gate quietly and reliably and in all weather and every situation. Quiet running and absolute safety are of course inherent in this.

24 V The elegant swing gate openers for your private entranceway

The cost-effective swing gate openers with 24 V motor are primarily used in private applications. The practical DA20 rechargeable swing gate drive is the ideal solution for entranceways that have no mains connection.

Accessories for the DA20 Accu

The 24 V 10 Ah rechargeable battery

Weight: 8.8 kg
Dimensions: 330 x 220 x 115 mm
2 year guarantee



The 24 V 10 W solar panel

Dimensions: 580 (W) x 330 (H) mm



The starter package

The swing gate openers DA20 Accu DA20

Suitable for single and double leaf swing gates - even where there is no mains connection

Max. gate weight:
DA20 Akku: 120 kg · DA20: 220 kg

Max. width of gate leaf:
DA20 Akku: 2.5 m · DA20: 2.5 m



The new BDS140 4-channel remote control with wall mount and sun visor clip

The power package

The swing gate openers DA40 DA40-L

Suitable for normal width and extra wide single and double leaf swing gates

Max. gate weight:
DA40: 400 kg · DA40-L: 400 kg

Max. width of gate leaf:
DA40: 2.5 m · DA40-L: 4 m



**24 V
230 V** High performance, powerful for private and commercial applications

Our powerful 24 V / 230 V swing gate openers are suitable for both private and commercial applications. Their area of application is with heavy gates and gates exposed to high volumes of traffic.



The new BDS140 4-channel remote control with wall mount and sun visor clip

The swing door opener
DX324

Self-locking swing door opener with mechanical emergency unlocking for single and double leaf swing gates with max. leaf width 3 m.
Max. gate weight: 250 kg*

For standardised or heavy gates



The swing door opener
DX524

Self-locking swing door opener with mechanical emergency unlocking for single and double leaf swing gates with max. leaf width 5 m.
Max. gate weight: 400 kg*

Perfect for retro-fitting



The swing door openers
**DX250SA
DX424SA**

Compact electro-mechanical swing gate opener for single and double leaf swing gates with large post sizes and max. 2.5 m / 4 m leaf width.
Max. gate weight: 300 kg* / 400 kg*

Perfect for high quality gates for invisible installation



The swing door opener
DX400UF

Electro-mechanical in-ground swing gate opener for single and double leaf swing gates with max. leaf width 4 m.
Max. gate weight: 400 kg*

* dependent on the width of the gate leaf



Compact and safe

Our compact swing gate openers with 24 V, 230 V and 400 V motors are suitable for both private and commercial applications. The robust, die-cast zinc housing makes them particularly durable and reliable. The controllers of 24 V / 230 V sliding gate are integrated into the housing. The 400 V sliding gate has an external control board. The sturdy height adjustable ground brackets and the gear rack that can be adjusted to suit your individual gate design are particularly practical. Housing, ground brackets and gear racks are of course permanently weatherproof and 100% maintenance free.



The new BDS140 4-channel remote control with wall mount and sun visor clip

24 V Functional and cost-effective in private applications

4Ddoors swing gate drives with 24 V motors are particularly well suited to private applications. Their attractive and compact housing provides trouble-free and safe operation.

The 24 V sliding gate drive C300

Sliding gate drive for max. gate weight up to 300 kg

Max. width of gate leaf: 6 m

The 24 V sliding gate drive C500

Sliding gate drive for max. gate weight up to 500 kg

Max. width of gate leaf: 8 m

The 24 V sliding gate drive C800

Sliding gate drive for max. gate weight up to 800 kg

Max. width of gate leaf: 10 m



Also: Your safety is particularly important to us and for that reason all our drives have important safety functions such as automatic shut-off systems, obstacle detection, soft-start, soft-stop and many more.

24 V
230 V
400 V

Robust and powerful for private and commercial applications

The 4Ddoors sliding gate drives with 24 V, 230 V and 400 V motors have the advantage with power and strength and are suitable for both private and commercial applications. Even large and particularly heavy gates are moved quickly, quietly and safely.



The new BDS140 4-channel remote control with wall mount and sun visor clip

The 230 V sliding gate drive
CX1000
Sliding gate drive for max. gate weight up to 1000 kg

The 230 V sliding gate drive
CX1500
Sliding gate drive for max. gate weight up to 1500 kg

The 230 V sliding gate drive
CX2000
Sliding gate drive for max. gate weight up to 2000 kg

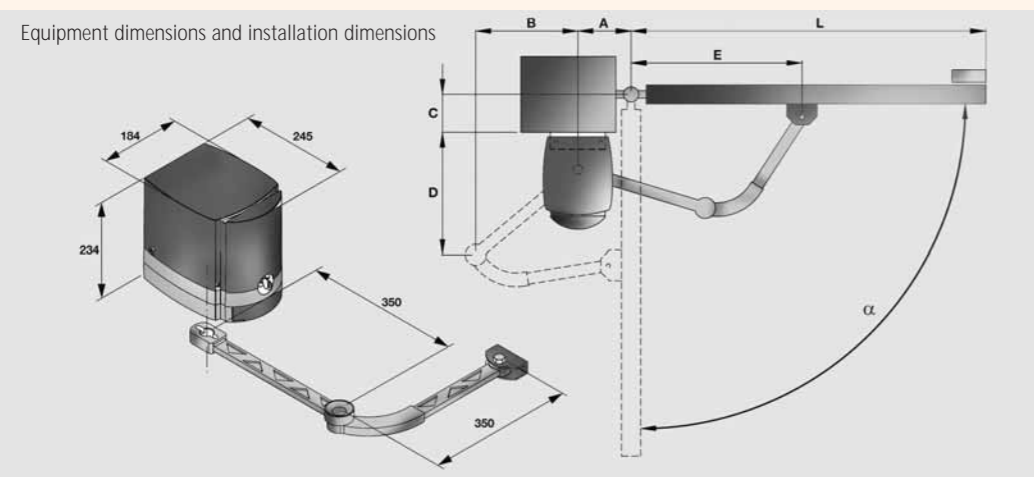
The 400 V sliding gate drive
CX2000/400 V
Sliding gate drive for max. gate weight up to 2000 kg

The 24 V sliding gate drive
CX1024
Sliding gate drive for max. gate weight up to 1000 kg

The 24 V sliding gate drive with frequency converter
CX2200
Sliding gate drive for max. gate weight up to 2200 kg

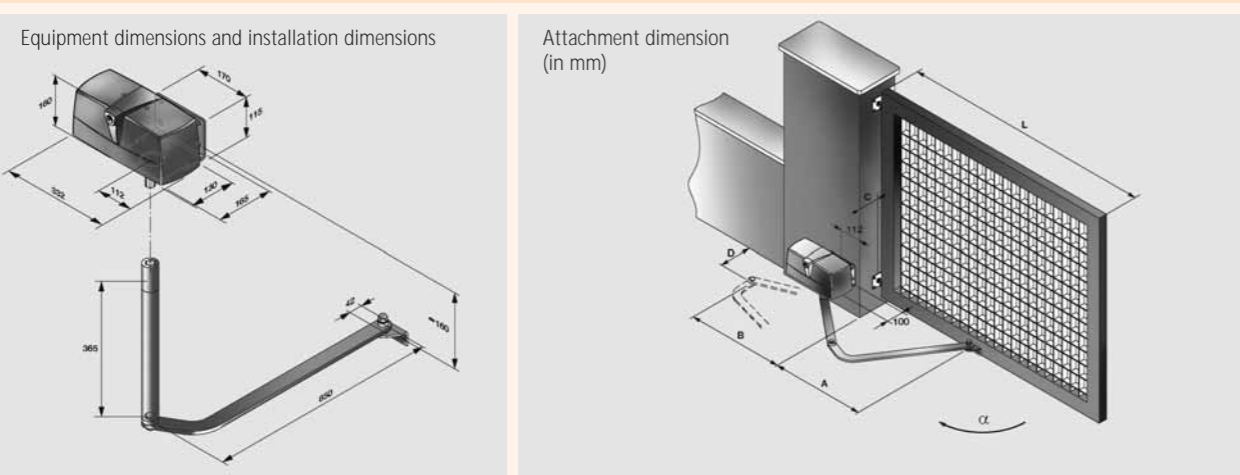


DX250SA



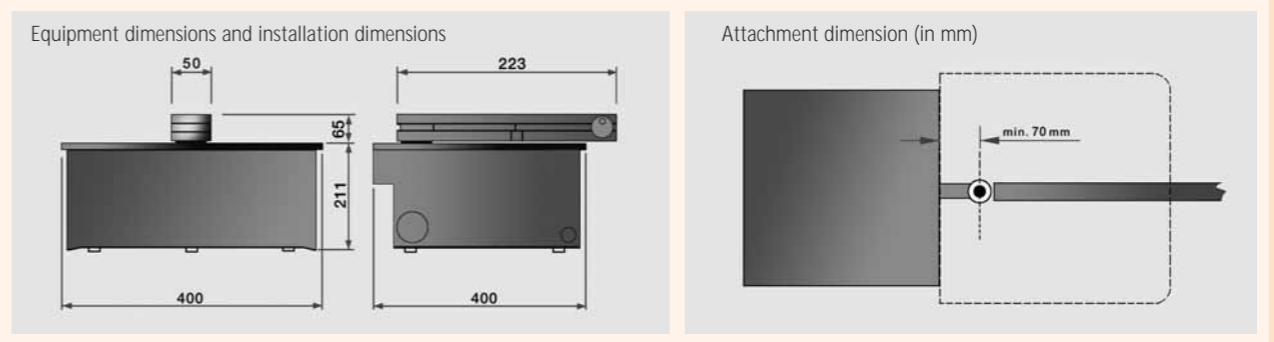
L (mm)	1000	1500	2000	2500				
max. kg	300	250	215	200				
A (mm)	140	140	140	140	160	200	200	200
B (mm)	253	261	264	260	220	147	327	309
max. C (mm)	0	50	100	150	185	200	0	100
D (mm)	382	373	370	375	412	417	266	305
E (mm)	470	470	470	470	470	440	420	420
max. α	90°	90°	90°	90°	90°	90°	110°	105°

DX424SA

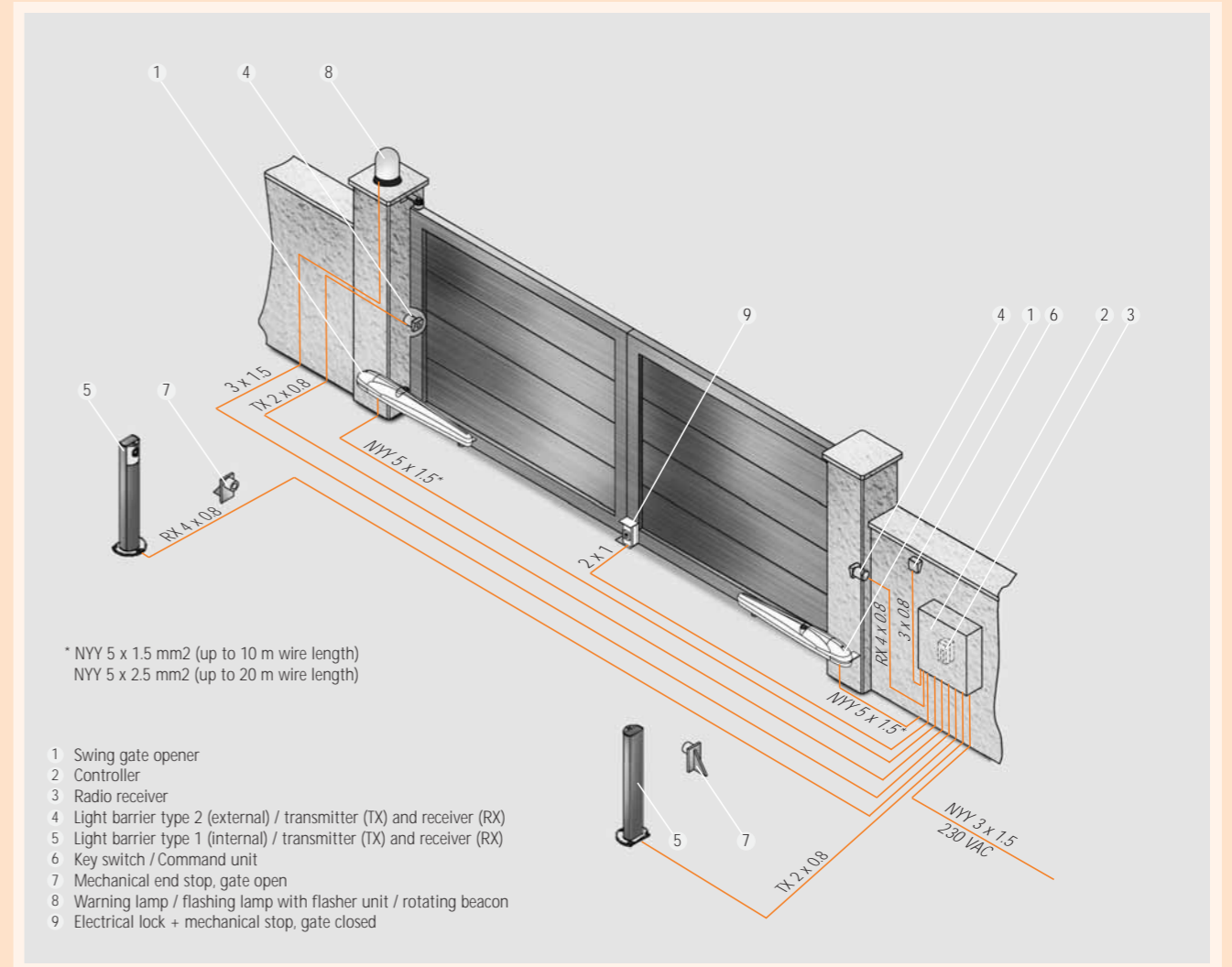


L (mm)	2000	2500	3000	3500	4000
max. kg	600	500	400	350	300
A (mm)	883	851	828	800	846
B (mm)	429	466	475	469	468
max. C (mm)	50	150	200	250	300
D (mm)	277	181	117	32	28
max. α	90°	90°	90°	90°	90°

DX400UF



Cable laying diagram



C300 24 V

C500 24 V

C800 24 V

Power 0,17 KW

Duty cycle Max. 20 cycles per day

End shut-off Electronically programmable

Automatic shut-off system Force limitation for both running directions, self learning and self checking

Gate running speed ca. 0.16 m/sec.

Mounting Height adjustable for faster installation

Motor 24 V DC motor

Radio remote control 4-button remote control included in delivery, Frequency: 868 MHz

Microprocessor controller

Input for part-open button

Safety input for 8k2 closing edge safety device in opening and closing directions

Safety input for light barrier in closing direction

Optional relay for warning lamp or end position reporting, gate closed

Integrated, learning force limitation

LED display for fault diagnostics

All functions can be set via DIP switches

Automatic closing, adjustable (light barrier required)

Please note: Not suitable for inclined gates

Overview of the 24 V sliding gate opener

Model	C300	C500	C800
Max. weight of gate	300 kg	500 kg	800 kg
Max. width of single gate leaf	6 m	8 m	10 m
Max. gate area	9 m ²	12 m ²	15 m ²
Max. traction/pulling force	650 N	1000 N	1200 N
Max. gate running speed	160 mm/sec.	160 mm/sec.	160 mm/sec.
Voltage for motor	24 VDC	24 VDC	24 VDC
Temperature range	-20... +60 C°	-20... +60 C°	-20... +60 C°
Supply voltage	230 V/50 Hz	230 V/50 Hz	230 V/50 Hz

CX1024 24 V

CX2200 230 V with frequency converter

Motor protection Integrated thermal cutout

Gate unlocking Emergency unlocking on drive in the event of a power failure as standard

Transmission Reduction transmission with maintenance free permanent lubrication

Installation Precise adaptation through height adjustable installation base plate

End shut-off Contactless and adjustable magnetic end switch

Convenient control system with various controller variants

Soft-Start / Soft-Stop For gentle, low-noise operation

Quick-close function Programmable

Power stages, adjustable

Automatic closing

Connection facility for safety devices

Test function for safety circuit

Pulse control (single button operation)

Plug-in terminal strip for radio receiver

Single gate function

Learning of run-time for opening and closing directions

Input for third-party controls e.g. buttons, key switches, transponders etc.

Please note: Not suitable for inclined gates

Overview of the 24 V / 230 V sliding gate opener

Model	CX1024	CX2200
Max. weight of gate	1000 kg	2200 kg
Max. gate running speed	160 mm/sec.	35-260 mm/sec.
Overload protection	Thermal Sensor	Thermal Sensor
Max. traction/pulling force	900 N	1660 N
Motor output	550 W	650 W
Max. time for activation	40 %	40 %
Supply voltage	230 V/50 Hz	230 V/50 Hz

Power stages, adjustable (except for CX2000/400 V)

Automatic closing

Connection facility for safety devices

Test function for safety circuit

Pulse control (single button operation)

Plug-in terminal strip for radio receiver

Single gate function

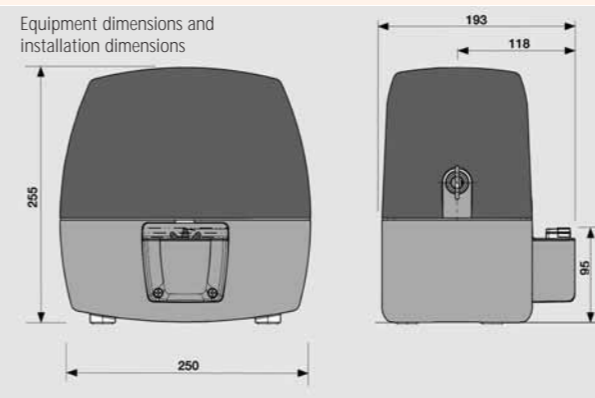
Learning of run-time for opening and closing directions

Input for third-party controls e.g. buttons, key switches, transponders etc.

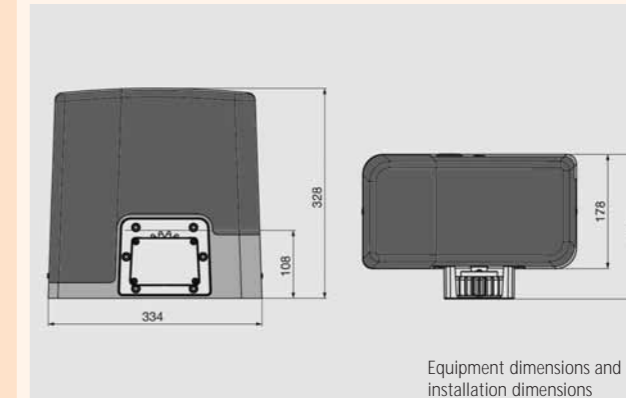
Overview of the 230 V / 400 V sliding gate drive

Model	CX1000	CX1500	CX2000	CX2000/400 V
Max. weight of gate	1000 kg	1500 kg	2000 kg	2000 kg
Max. torque	40 Nm	50 Nm	55 Nm	60 Nm
Max. gate running speed	10.5 m/Min	10.5 m/Min	10.5 m/Min	10.5 m/Min
Overload protection	Thermal Sensor	Thermal Sensor	Thermal Sensor	Thermal Sensor
Motor output	300 W	420 W	480 W	600 W
Max. time for activation	40 %	40 %	40 %	60 %
Supply voltage	230 V/50 Hz	230 V/50 Hz	230 V/50 Hz	400 V/50 Hz

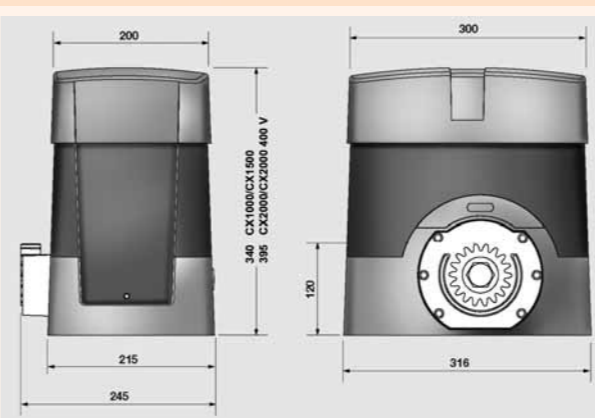
C300 - C800



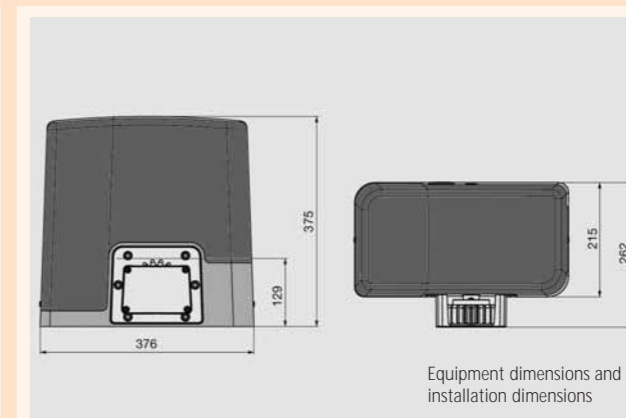
CX1024



CX1000 - CX2000

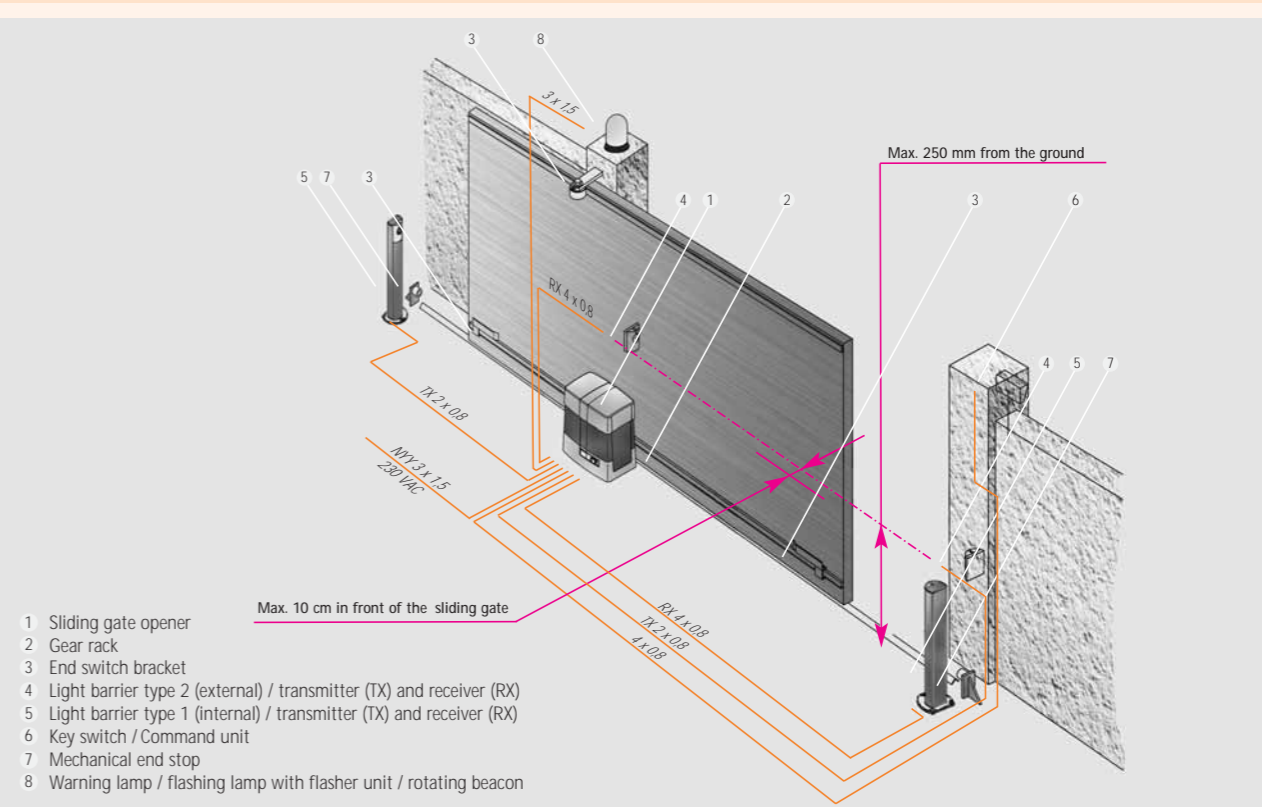


CX2200



The weight information relates to ground-running sliding gates. With cantilever gates subtract 20% from the max. gate weight. With inclined gates the max. weight must be reduced depending on the degree of incline.

Cable laying diagram CX1000-2000



- 1 Sliding gate opener
- 2 Gear rack
- 3 End switch bracket
- 4 Light barrier type 2 (external) / transmitter (TX) and receiver (RX)
- 5 Light barrier type 1 (internal) / transmitter (TX) and receiver (RX)
- 6 Key switch / Command unit
- 7 Mechanical end stop
- 8 Warning lamp / flashing lamp with flasher unit / rotating beacon

For even more comfort

Operate your swing gate or sliding gate and many other functions with just one remote controls. The keypad allows you to easily and securely open the door even without the remote. The option of opening the door using the contactless transponder switch is particularly convenient.



Wireless:

Remote controls

The new 2 to 5-channel remote controls BDS120, BDS140 and BDS150 are especially secure and have a bidirectional encryption method (BiSure).



Mini remote control

The Blue opal 5-channel mini remote control in an attractive metal housing with blue LED controls up to 5 applications.



The BHS121 2-channel remote control.



The practical Blue car remote control is available with 1 or 2 channels and fits in your car's cigarette lighter.



Wireless keypad

Our wireless keypads with illuminated keys control up to 4 drives and/or the light concept.



Wireless interior switches

The Blue-push2 wireless interior switch has 2 pulse buttons for the control of 2 openers. It can be connected to up to 2 controllers, which are switched on/off with a switch.



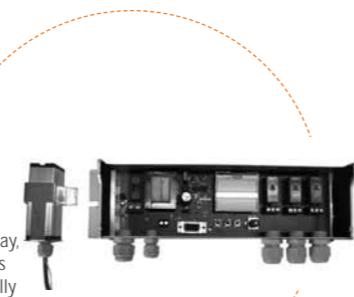
Wireless fingerprint readers

The wireless fingerprint scanning system controls up to 2 door openers by means of a fingerprint scan. Up to 12 finger prints can be stored in the system.



Radio receiver

Modular construction, 3-channel radio receiver for 230 V, 1000 memory locations, programming implemented directly on the receiver via the display, remote transmitter codes can be deleted individually incl. memory module for saving and reinstating the data.



Wired controls:

Key switch

Our large selection of key switches enables simple access to your garage via key contact.



Fingerprint readers

The fingerprint scanning system controls up to 2 door openers by means of a fingerprint scan. It has a capacity for up to 100 fingerprints, in which case each can be deleted on an individual basis. All stored data remains saved even in the event of a power loss.



Transponder switches

Our 1-channel transponder switch controls your garage door completely contact-free. Two transponder keys are included; up to 1000 keys can be logged in and out.



Electric locks:

12 V and 24 V electrical locks



Safety:

One-way light barriers for inside and outside

The one-way light barrier is suitable for use in outside areas and serves as an additional safety device. Perfect alignment is implemented with LEDs. The range is 15 m per pair.



Rubber profiles



Closing edge protective devices



Emergency shutdown switches

